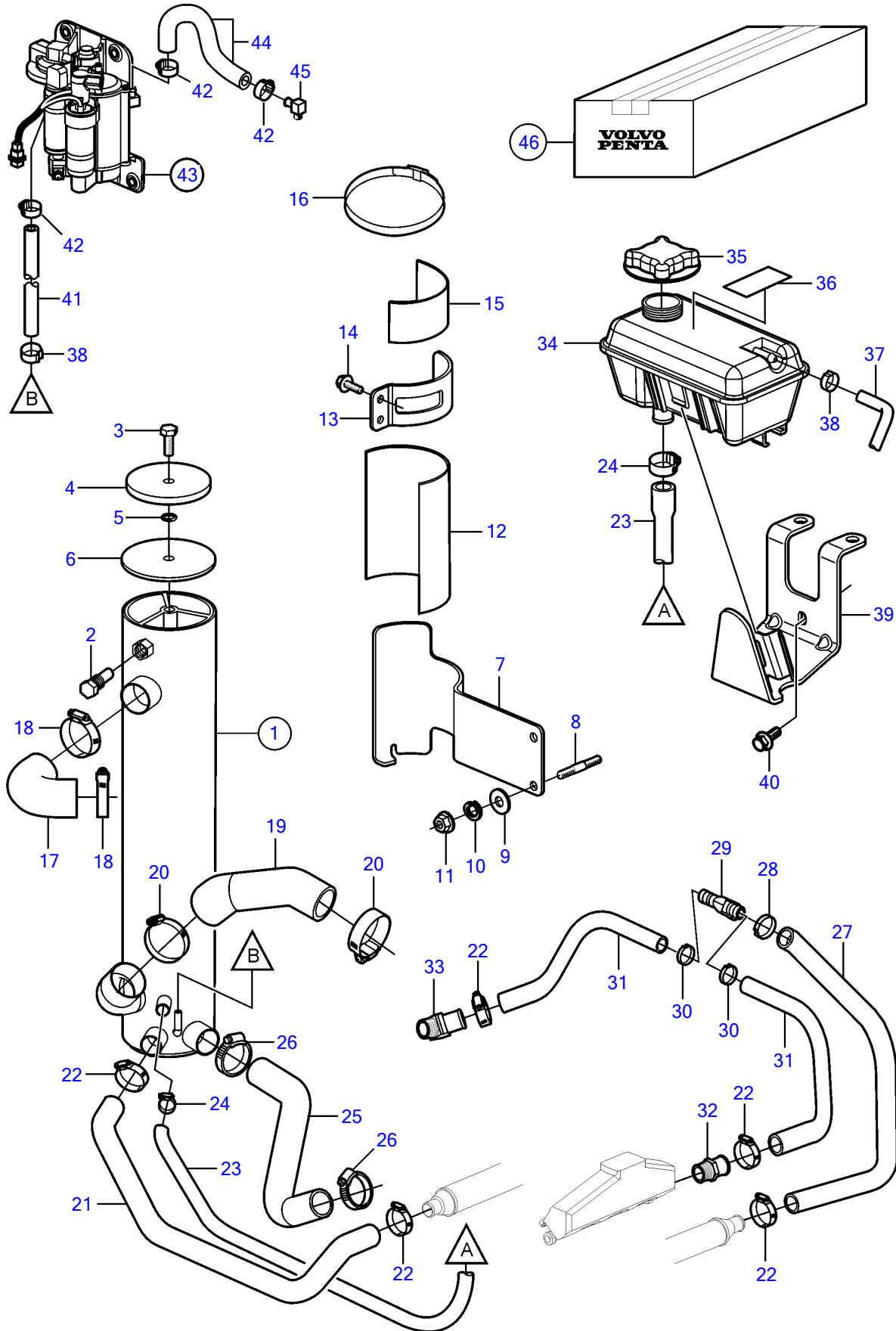


8.1Gi-J, 8.1Gi-JF, 8.10Si-JF, 8.1GXi-J, 8.1GXi-JF



8.1Gi-J, 8.1Gi-JF, 8.1OSi-JF, 8.1GXi-J, 8.1GXi-JF

| REF | PART NO. | QTY | DESCRIPTION | SEE SEC. | NOTES |
|-----|----------|-----|---------------------|-------------|---|
| 1 | 3860907 | 1 | Heat exchanger | | |
| 2 | 3858995 | 1 | • Anode | | |
| 3 | 3858994 | 2 | • Screw | | |
| 4 | 3858992 | 2 | • Cover | | |
| 5 | 983191 | 2 | • O-ring | | |
| 6 | 3858993 | 2 | • Gasket | | |
| 7 | 3860905 | 1 | Bracket | | |
| 8 | 983613 | 2 | Stud | | |
| 9 | 980933 | 2 | Washer | | |
| 10 | 3852046 | 2 | Spring washer | | |
| 11 | 971095 | 2 | Flange nut | | |
| 12 | 3861042 | 1 | Gasket | | |
| 13 | 3860962 | 1 | Bracket | | |
| 14 | 982285 | 2 | Flange screw | | |
| 15 | 3853236 | 1 | Spacer | | |
| 16 | 3863443 | 2 | Hose clamp | | |
| 17 | 3860914 | 1 | Hose | | |
| 18 | 3812304 | 2 | Hose clamp | | |
| 19 | 3860915 | 1 | Hose | | |
| 20 | 3863438 | 2 | Hose clamp | | |
| 21 | 3841406 | 1 | Hose | | |
| 22 | 3863441 | 5 | Hose clamp | | |
| 23 | 3594894 | 1 | Hose | | |
| 24 | 3812303 | 2 | Hose clamp | | |
| 25 | 3817820 | 1 | Hose | | |
| 26 | 3863441 | 2 | Hose clamp | | |
| 27 | 3808671 | 1 | Hose | | |
| 28 | 982644 | 1 | Clamp | | |
| 29 | 3860469 | 1 | Water pipe | | |
| 30 | (982647) | 2 | Clamp | | Obsolete part |
| 31 | 3860913 | 2 | Hose | | |
| 32 | 3861159 | 1 | Nipple | | |
| 33 | 3807044 | 1 | Elbow nipple | | |
| 34 | 861105 | 1 | Expansion tank | | |
| | | | • Bulletin P-18-4-4 | P-18-4-4-EN | Coolant Recommendations for Gas Engines |
| | | | • Bulletin p-26-1-7 | p-26-1-7-EN | Coolant Capacity, FWC Gas Engines |
| 35 | 1674083 | 1 | Pressure cap | | |
| 36 | | 1 | Decal | | part not sold |
| 37 | 40005477 | 1 | Hose | | |
| 38 | 3860413 | 2 | Hose clamp | | |
| 39 | 3847737 | 1 | Bracket | | |
| 40 | 3852568 | 1 | Flange screw | | |
| 41 | 3860589 | 1 | Hose | | |
| 42 | 3860413 | 3 | Hose clamp | | |
| 43 | | 1 | Fuel pump | | See "Fuel system" page |
| 44 | 3860410 | 1 | Hose | | |
| 45 | 3853597 | 1 | Elbow | | Exhaust riser |
| 46 | 3842763 | 1 | Fresh water cooling | | |
| | | | • Bulletin P-26-1-4 | P-26-1-4-EN | Freshwater Cooling, 8.1L |

7747720-26-22103

24980

Upd:2014-04-10

8.1Gi-J, 8.1Gi-JF, 8.1OSi-J, 8.1OSi-JF, 8.1GXi-J, 8.1GXi-JF

