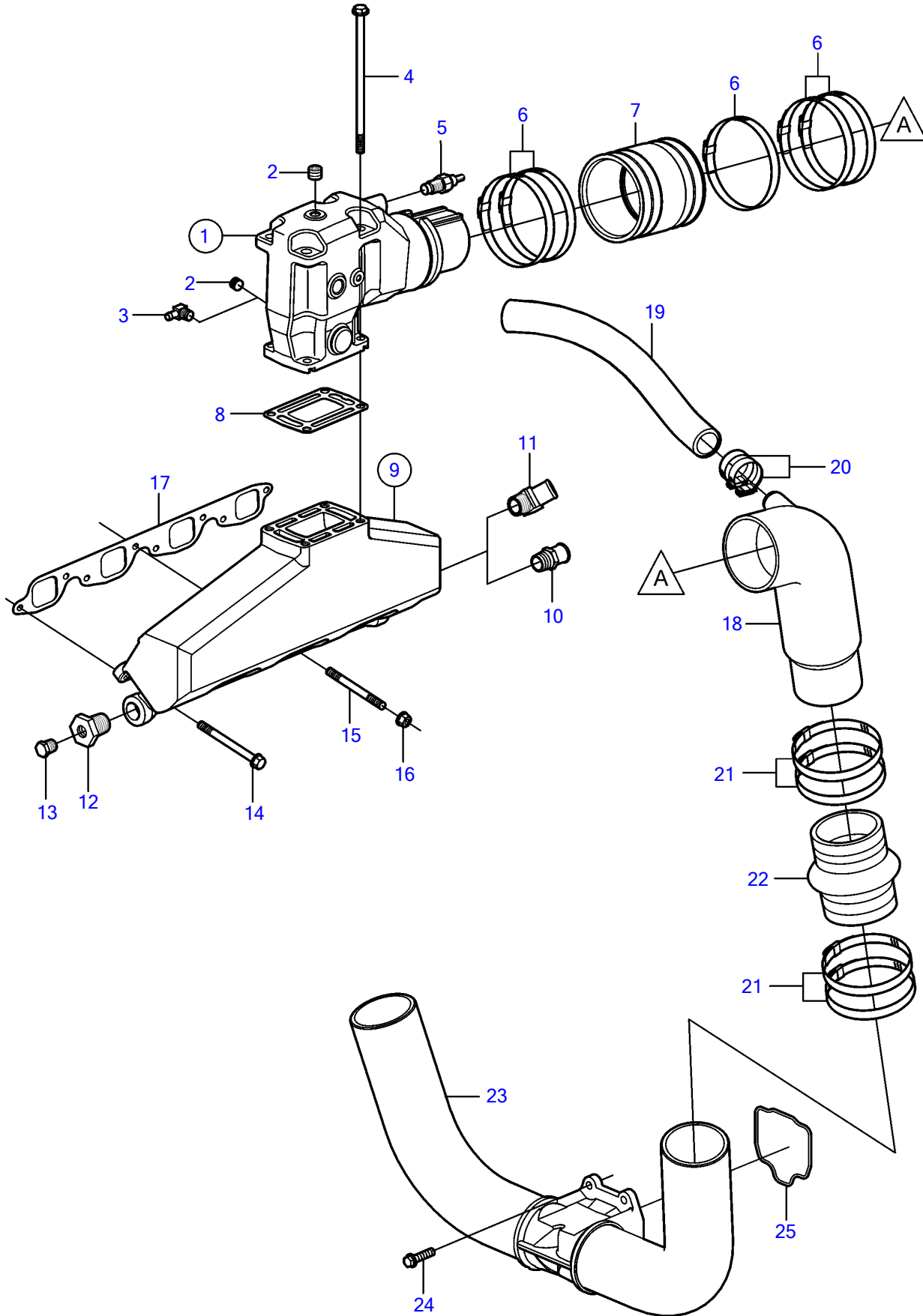


8.10Si-D, 8.10Si-DF



8.10Si-D, 8.10Si-DF

REF	PART NO.	QTY	DESCRIPTION	SEE SEC.	NOTES
1	3863061	2	Elbow		
			• Bulletin P-25-1-5	P-25-1-5-EN	Riser Extension Kit
			• Bulletin P-25-1-4	P-25-1-4-EN	Tall Riser Options
2	3850740	3	• Plug		
3	3853597	1	Elbow		
4	3808361	8	Flange screw		
5	3862500	1	Temperature sensor		
6	3863443	10	Hose clamp		
7	3852696	2	Hose		
8	3863191	1	Kit		
9	3860855	2	Exhaust manifold		
10	3861159	X	Nipple		
11	3807044	X	Elbow nipple		
12	3861160	2	Fitting		
13	3850802	2	Plug		
14	945444	8	Flange screw		
15	982974	8	Stud		
16	945408	8	Flange nut		
17	3852472	1	Gasket		
18	3863461	1	Exhaust pipe		Starboard
	3863462	1	Exhaust pipe		Port
19	3862206	1	Hose		
20	3863440	4	Hose clamp		
21	3863442	8	Hose clamp		
22	3863450	2	Bellows		
23	3858873	1	Exhaust pipe		
24	3841928	4	Flange screw		
25	3587651	1	Kit		
			• Bulletin P-25-2-2	P-25-2-2-EN	Y-pipe seal, gas engines