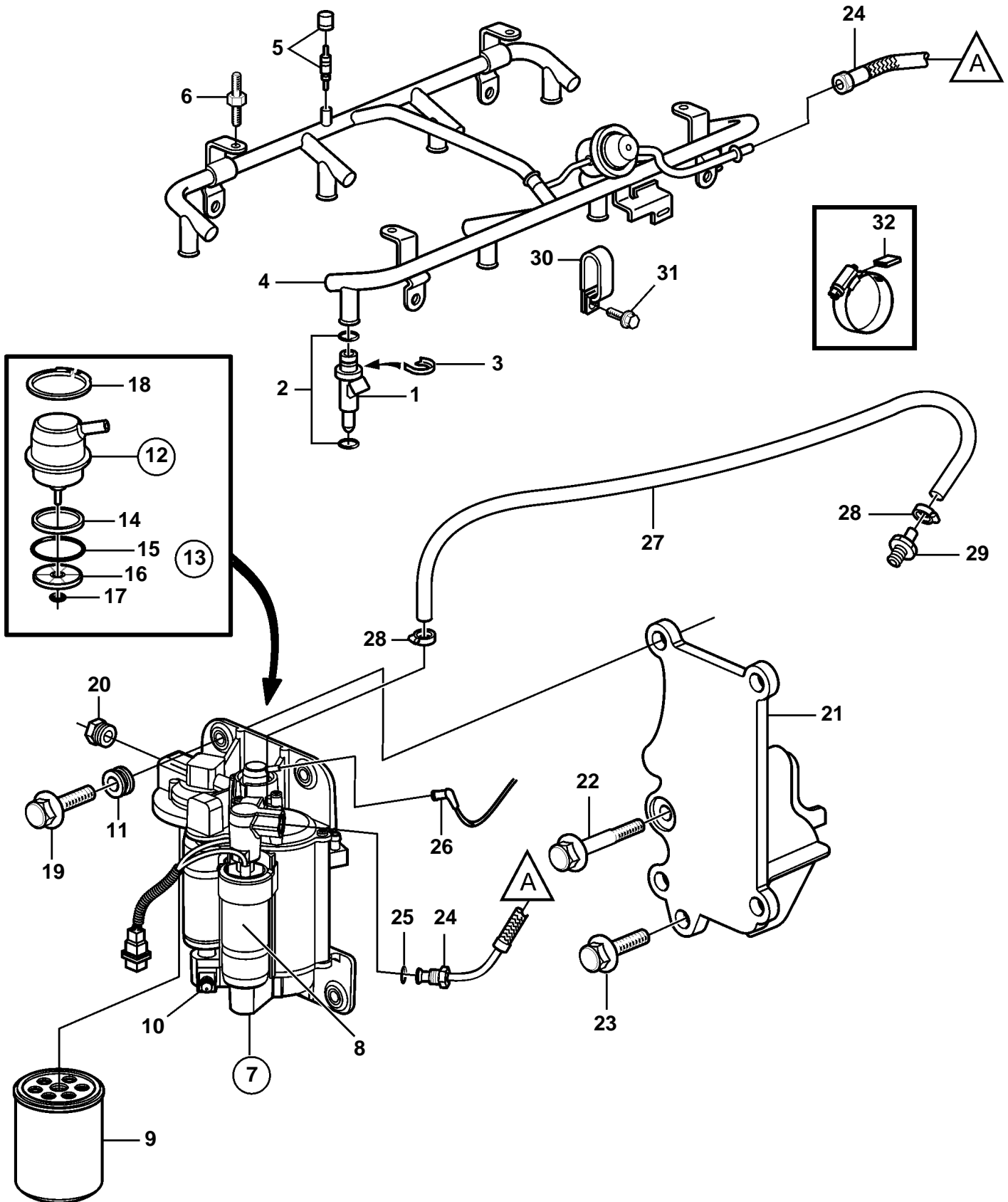


8.1Gi-F, 8.1Gi-FF, 8.1GXi-E, 8.1GXi-EF, 8.1OSi-B, 8.1OSi-BF



8.1Gi-F, 8.1Gi-FF, 8.1GXi-E, 8.1GXi-EF, 8.1OSi-B, 8.1OSi-BF

| REF | PART NO. | QTY | DESCRIPTION | SEE SEC. | NOTES |
|-----|----------|-----|----------------------|----------|--------------------|
| 1 | 3861278 | 8 | Injector | | |
| 2 | 3861291 | 1 | Sealing kit | | |
| 3 | 3861293 | 1 | Retainer kit | | |
| 4 | 3817696 | 1 | Rail, fuel | | |
| 5 | 3857698 | 1 | Valve | | |
| | | 1 | · Cap | | |
| 6 | 3861320 | 2 | Stud | | |
| 7 | 3589016 | 1 | Fuel pump kit | | |
| 8 | 3817328 | 1 | · Service kit | | HIGH PRESSURE PUMP |
| 9 | 3862228 | 1 | · Fuel filter | | |
| 10 | 3853616 | 1 | · Protective cap | | |
| 11 | 3861396 | 4 | · Rubber bushing | | |
| 12 | 3808522 | 1 | · Pressure regulator | | |
| 13 | 3861268 | 1 | · Sealing kit | | |
| 14 | | 1 | · · Seal | | |
| 15 | | 1 | · · O-ring | | |
| 16 | | 1 | · · Filter | | |
| 17 | | 1 | · · O-ring | | |
| 18 | | 1 | · · Snap ring | | |
| 19 | 982702 | 4 | Flange screw | | |
| 20 | 3857816 | 1 | Bushing | | |
| 21 | 3860956 | 1 | Bracket | | |
| 22 | 973093 | 1 | Flange screw | | |
| 23 | 965221 | 1 | Flange screw | | |
| 24 | 3589017 | 1 | Fuel line | | |
| 25 | 3850423 | 1 | · O-ring | | |
| 26 | 3589018 | 1 | Hose | 7658 | |
| 27 | 3860284 | 1 | Hose | | |
| 28 | 3860413 | 2 | Clamp | | |
| 29 | 3860290 | 1 | Impulse limiter | | |
| 30 | 3860412 | 1 | Clamp | | |
| 31 | | 1 | Screw | | |
| 32 | 3861999 | 2 | Cover | | W=0.300" (7.6mm) |