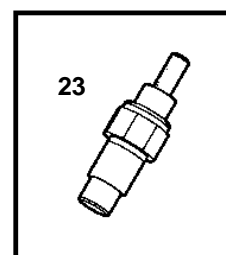
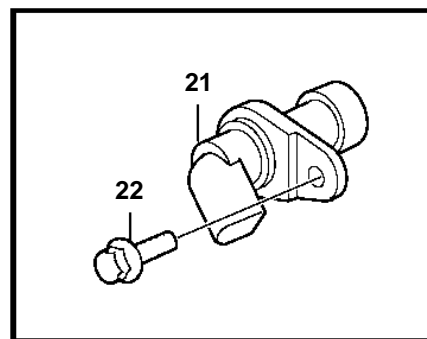
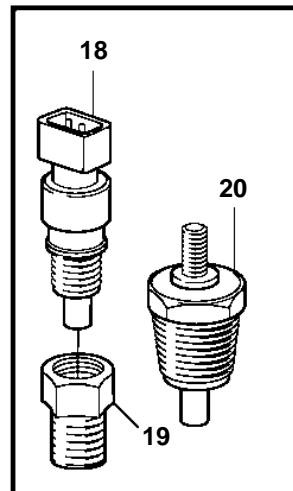
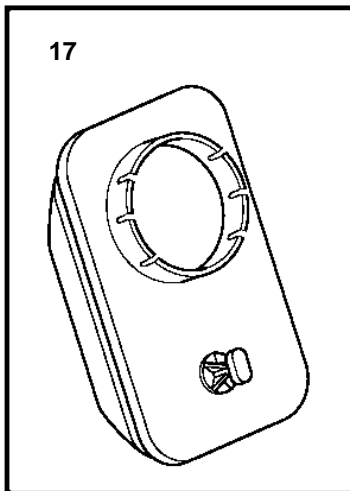
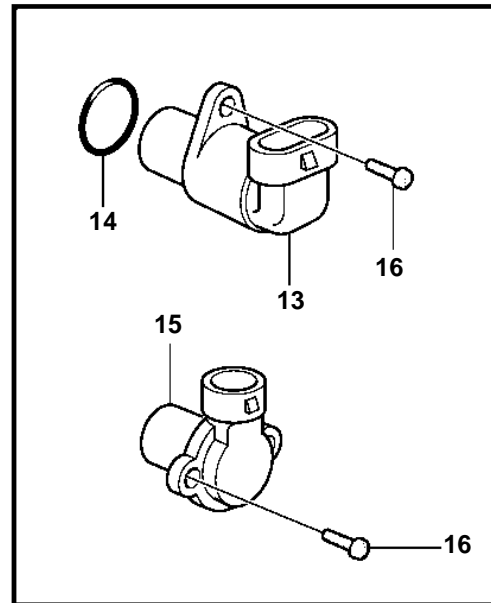
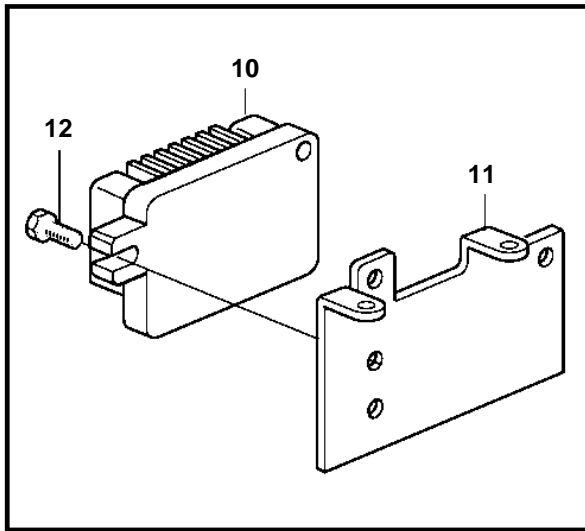
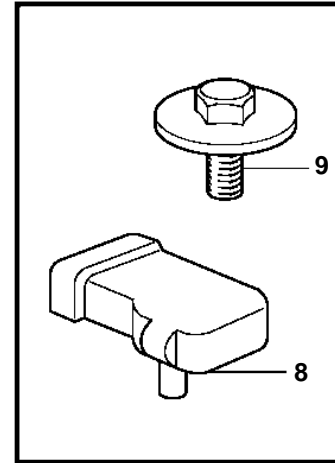
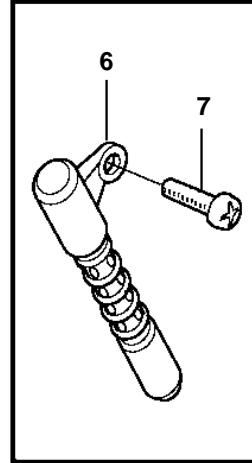
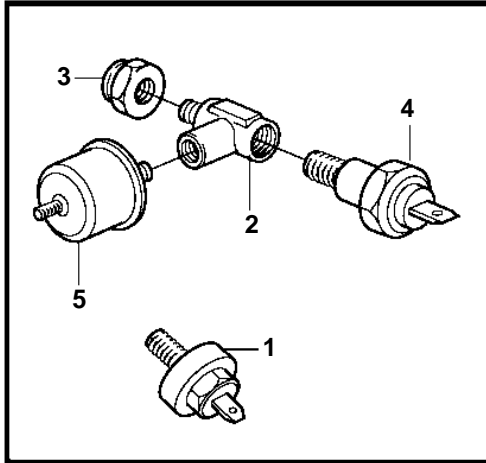


8.1GXi-B, 8.1GXi-BF, 8.1GXi-C, 8.1GXi-CF, DPX420-CF, 8.1GXii-B, 8.1GXii-C



19491

8.1GXi-B, 8.1GXi-BF, 8.1GXi-C, 8.1GXi-CF, DPX420-CF, 8.1GXii-B, 8.1GXii-C

REF	PART NO.	QTY	DESCRIPTION	NOTES
1	3861301	2	Knock sensor	
2	3852610	1	T-nipple	
3	3852465	1	Bushing	
4	3852215	1	Switch, oil pressure	
5	3857532	1	Sender, oil pressure	
6	888099	1	Sensor, crankshaft position	1 O-RING
7	3861262	1	Screw	
8	3861321	1	Sensor, MAP	
9	3861240	1	Screw	
10	3862690	1	Ecu	
11	3862836	1	Bracket	
12	3856742	3	Screw	
13	3857696	1	Iac valve	
14	3858054	1	O-ring	
15	3857487	1	Sensor, throttle position	
16	3857693	1	Screw kit	
17	3861345	1	Flame arrestor	
		1	· SensorMAT	
18	3850397	1	Switch, coolant water temp.	
19	3861346	1	Bushing	
20	3852029	1	Sender, temperature	
21	3859082	1	Sensor, camshaft position	
22		1	Screw	
23	3862500	1	Temperature sensor	