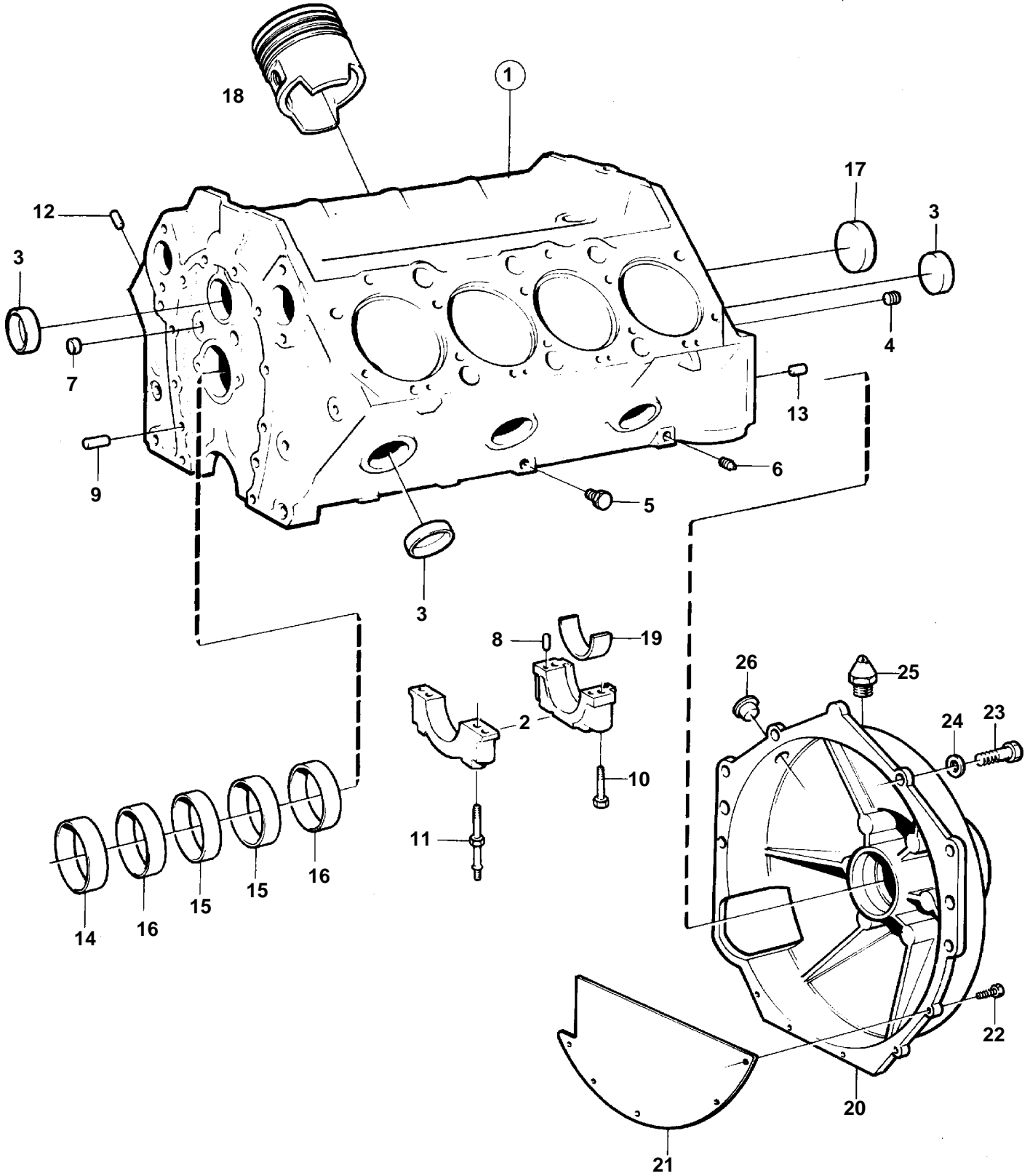


740A



740A

REF	PART NO.	QTY	DESCRIPTION	SEE SEC.	NOTES
1		1	CYLINDER BLOCK		INCLUDED IN BASIC ENGINE 856708
2		5	· BEARING CAP		
3		8	· Cap plug		
4	952075	4	· Plug		
5	192134	4	· Plug		
6		3	· Plug		
7	856547	2	· Plug		
8	835040	2	· Locating pin		
9	835040	2	· Locating pin		
10		6	· Bolt		SHORT
		10	· Screw		LONG
11		4	· Stud		
12	856551	4	· Locating pin		
13		2	· Locating pin		
14	856552	1	· Bearing		
15	856553	2	· Bearing		
16	856554	2	· Bearing		
17	856555	1	· Cap plug		
18		8	· PISTON	19956	
19		X	· MAIN BEARING KIT	19956	
20	841967	1	Flywheel housing		
21	826448	1	Cover plate		
22	947224	5	Hexagon screw		
23	941939	6	Screw		
24	942336	6	Spring washer		
25	914167	1	Lubricating nipple		
26	944738	1	Plug		