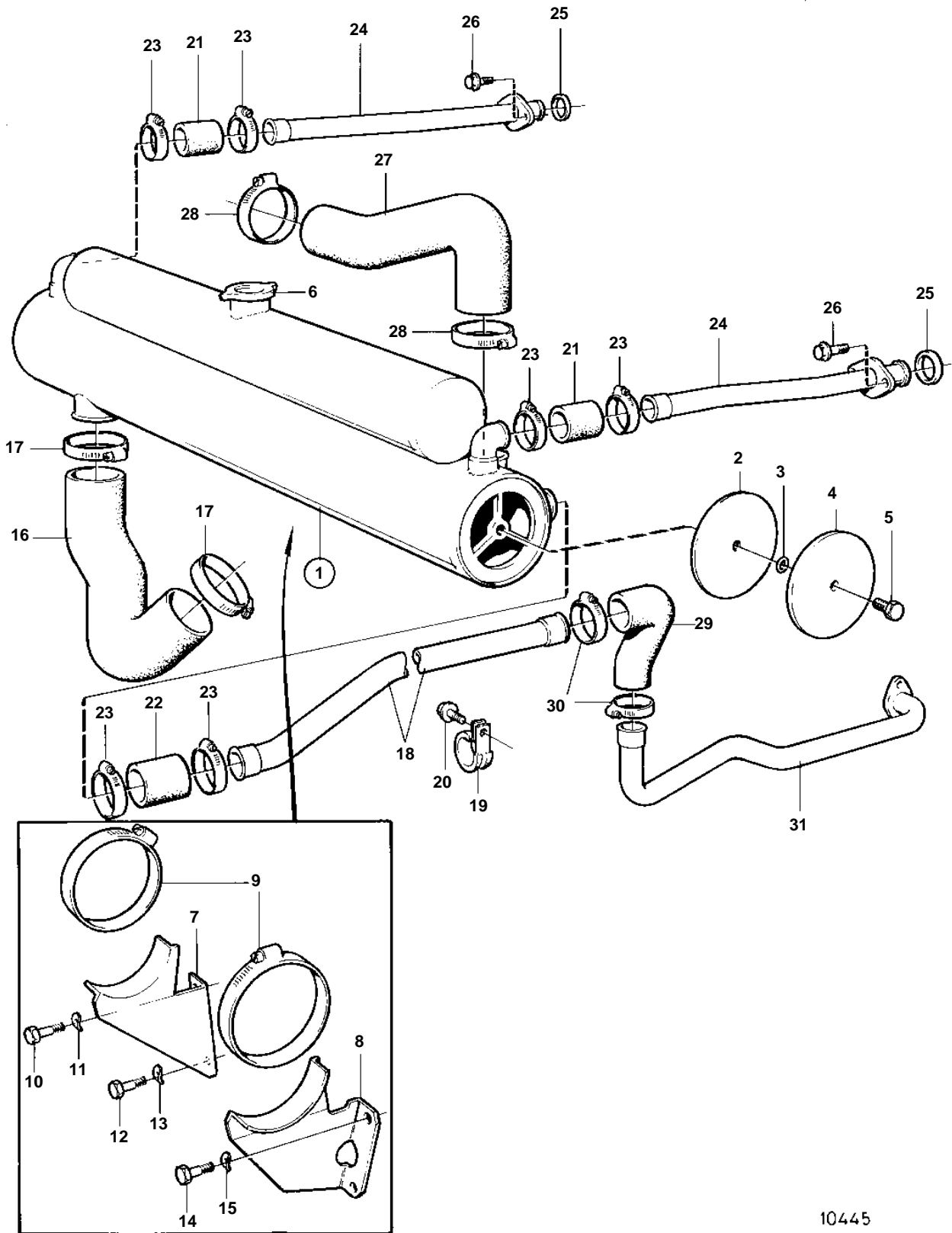


740A/MS5



10445

740A/MS5

| REF | PART NO. | QTY | DESCRIPTION | SEE SEC. | NOTES |
|-----|----------|-----|------------------|----------|--------------|
| 1 | 856675 | 1 | Heat exchanger | | |
| 2 | 841912 | 2 | · Gasket | | |
| 3 | 925054 | 2 | · O-ring | | |
| 4 | 841911 | 2 | · Cardboard tube | | |
| 5 | 841068 | 2 | · Bolt | | |
| 6 | 841917 | 1 | · Pressure cap | | |
| 7 | 856661 | 1 | Bracket | | |
| 8 | 856662 | 1 | Bracket | | |
| 9 | 853012 | 2 | Hose clamp | | |
| 10 | 940116 | 1 | Hexagon screw | | SEE GROUP 2C |
| 11 | 941909 | 1 | Spring washer | | SEE GROUP 2C |
| 12 | 940115 | 1 | Hexagon screw | | SEE GROUP 2C |
| 13 | 942336 | 1 | Spring washer | | SEE GROUP 2C |
| 14 | 955536 | 2 | Hexagon screw | | SEE GROUP 3 |
| 15 | 942336 | 2 | Spring washer | | SEE GROUP 3 |
| 16 | 856227 | 1 | Hose | | |
| 17 | 961671 | 2 | Hose clamp | | |
| 18 | 856311 | 1 | Coolant pipe | | |
| 19 | 943717 | 1 | Clamp | | |
| 20 | 946440 | 1 | Flange screw | | SEE GROUP 3 |
| 21 | 944386 | X | Rubber hose | | L = 2X100 MM |
| 22 | 969149 | X | Rubber hose | | L = 100 MM |
| 23 | 853548 | 6 | Hose clamp | | |
| 24 | 855984 | 2 | Coolant pipe | 19966 | |
| 25 | 842913 | 2 | Sealing ring | | |
| 26 | 965175 | 4 | Flange screw | | |
| 27 | 856529 | 1 | Hose | 19966 | |
| 28 | 943479 | 2 | Hose clamp | 19966 | |
| 29 | 856306 | 1 | Hose | 19966 | |
| | | | Bulletin 42-14 | 42-14-EN | Hose |
| 30 | 961669 | 2 | Hose clamp | 19966 | |
| 31 | | 1 | Coolant pipe | | SEE GROUP 4A |