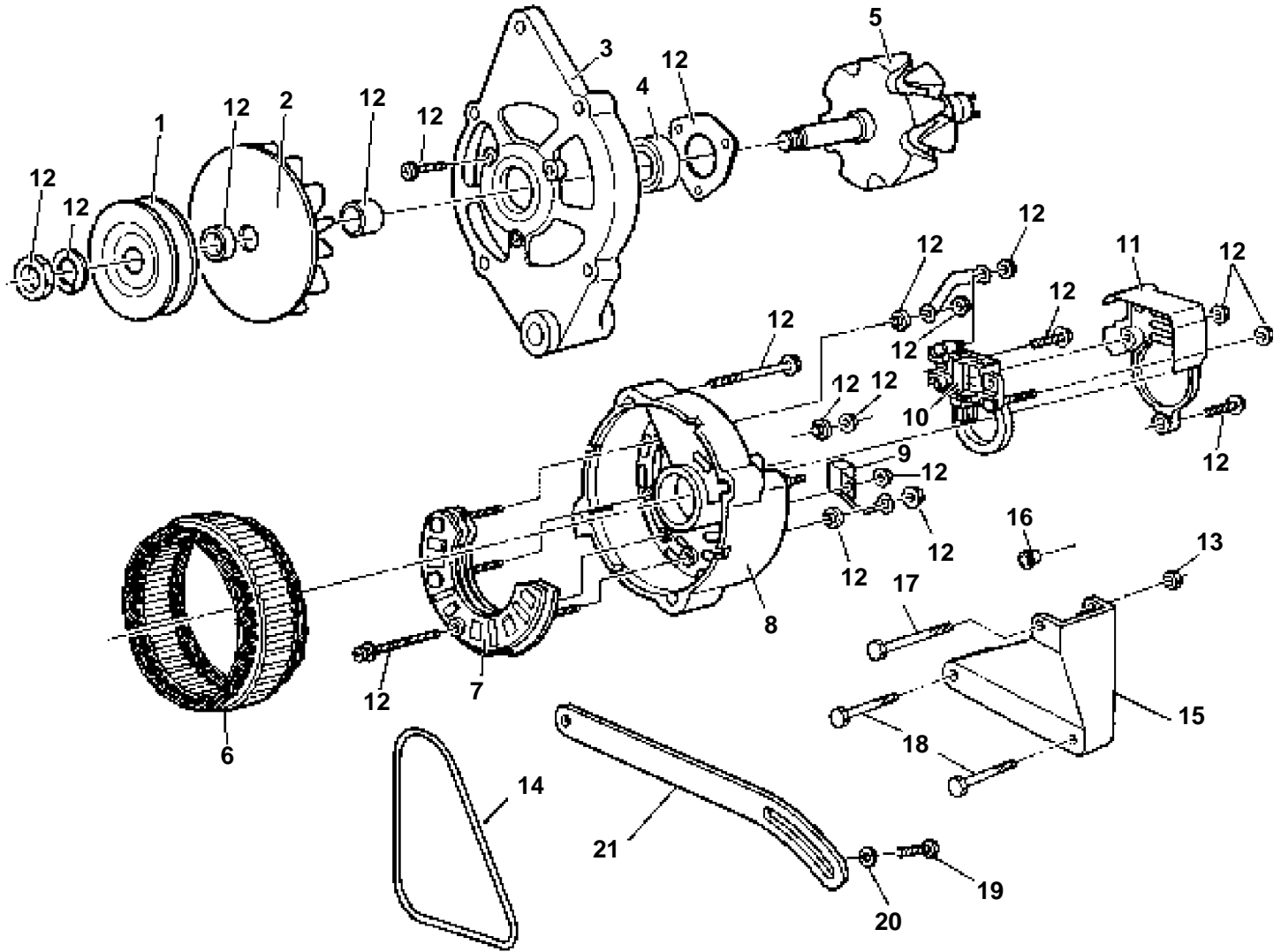


DPX385XEFS, DPX415XEFS



GR71909

DPX385XEFS, DPX415XEFS

REF	PART NO.	QTY	DESCRIPTION
1	3857561	1	Alternator kit
	3857058	1	· Adapter kit
2	3857059	1	· Fan
3	3857060	1	· Bracket
4	3857061	1	· Bearing
5		1	· Rotor
6		1	· Stator
7	3857065	1	· Adapter kit
8	3857064	1	· Bracket
9	3857066	1	· Adapter kit
10	3858879	1	· Voltage regulator
11	3857068	1	· Adapter kit
12	3857245	1	· Screw kit
13	3857181	1	Flange lock nut, Alternator to bracket
14	3854643	1	V-belt, Alternator
15	3854642	1	Alternator bracket, Alternator
16	3854579	1	· Bushing
17	3853391	1	Screw, Alternator to bracket
18	3854387	2	Screw, Brace, bracket to cylinder head
19	3853399	1	Screw, Brace to alternator
20	3852054	1	Washer, Brace to alternator
21	3854572	1	Brace, Alternator to water pump