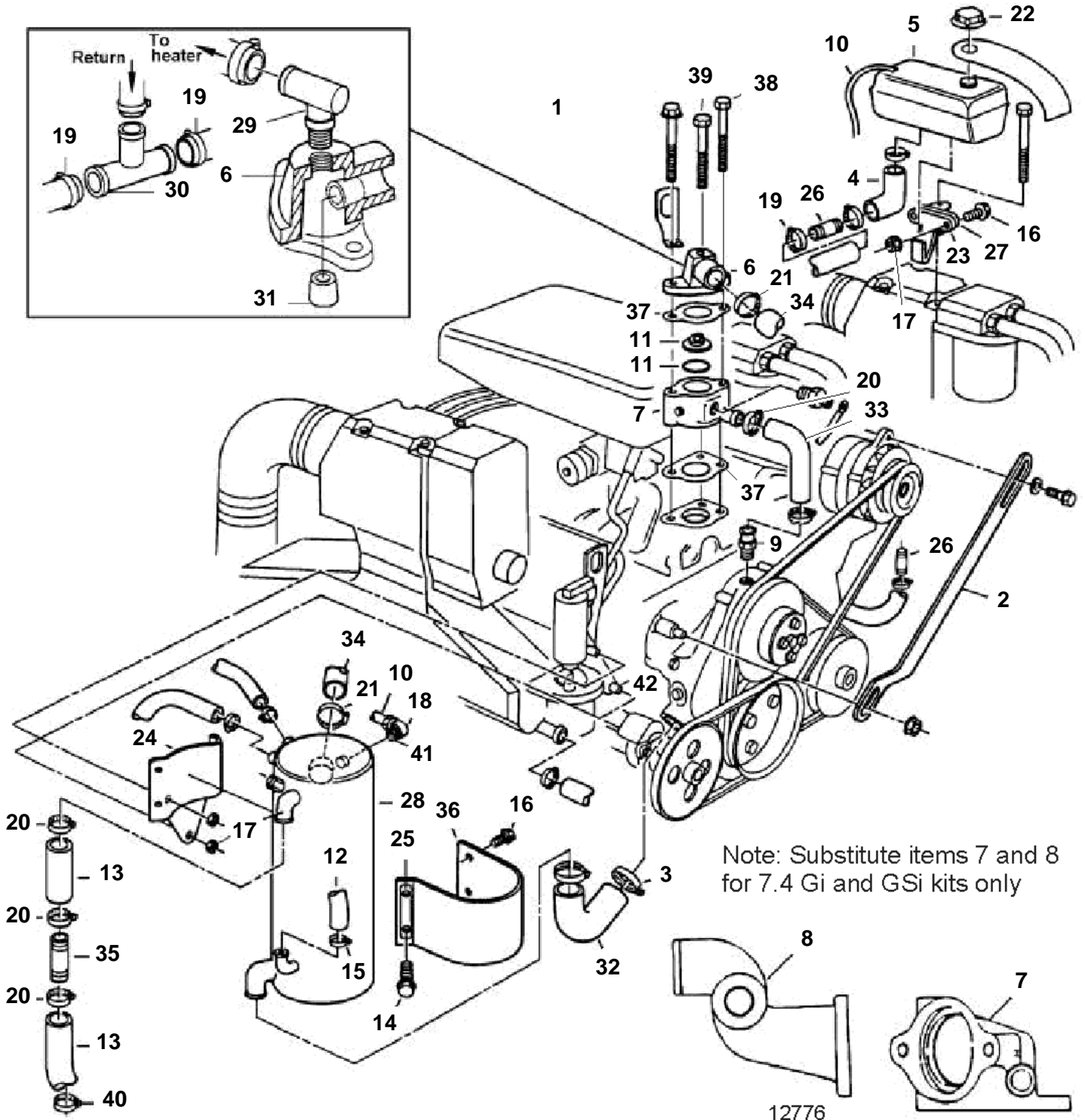


7.4GLPNCA, 7.4GLPNCS, 7.4GLPNCM, 7.4GLPNCB, 7.4GIINCCCE, 7.4GIINCSCE, 7.4GIPNCACE, 7.4GIPNCBCE, 7.4GIPNCMCE, 7.4GIPNCSCE, 7.4GLINCC, 7.4GLINCS, 7.4GSIINCC, 7.4GSIINCS, 7.4GSIXNCB, 7.4GSIXNCM, 8.2GSIXNCB



7.4GLPNCA, 7.4GLPNCS, 7.4GLPNCM, 7.4GLPNCB, 7.4GIINCCCE, 7.4GIINCSCE, 7.4GIPNCACE, 7.4GIPNCBCE, 7.4GIPNCMCE, 7.4GIPNCSCE, 7.4GLINCC, 7.4GLINCS, 7.4GSIINCC, 7.4GSIINCS, 7.4GSIXNCB, 7.4GSIXNCM, 8.2GSIXNCB

REF	PART NO.	QTY	DESCRIPTION	NOTES
1	3851839	1	Freshwater cool kit	7.4Gi/GSi,8.2 GSi
	3851540	1	Freshwater cool kit	7.4 GL
2	3851415	1	• Stay	7.4 GL
3	961672	2	• Hose clamp	
4	857500	1	• Hose	
5	861105	1	• Expansion tank	
6	3851384	1	• Thermostat housing	7.4 GL only
	479977	1	• • Plug	7.4 GL only
	968145	1	• • Plug	7.4 GL only
	3851838	1	• Thermostat housing	7.4Gi/GSi,8.2 GSi
	968146	1	• • Plug	7.4Gi/GSi,8.2 GSi
	968147	1	• • Plug	7.4Gi/GSi,8.2 GSi
7	3851836	1	• Thermostat housing	7.4 / 8.2 GL
	3851383	1	• Thermostat housing, lower	
	968147	1	• • Plug	not sold separately
8		1	• Housing	7.4Gi/GSi,8.2 GSi
9	479974	1	• Nipple	
10	942700	1	• Hose	
11	875788	1	• Thermostat kit	
	416033	1	• • Sealing ring	
12	943369	1	• Hose	
13	944386	1	• Hose	
14	945444	2	• Flange screw	
15	945652	4	• Hose clamp	
16	946173	2	• Flange screw	
17	948645	6	• Lock nut	
18	180254	1	• Elbow nipple	
19	961666	14	• Hose clamp	
20	961667	2	• Hose clamp	
21	961670	2	• Hose clamp	
22	1357775	1	• Pressure cap	
23	3851363	1	• Bracket	
24	3851394	1	• Bracket	
25	3851396	1	• Bar	
26	3851413	2	• Connection pipe	
27	3851530	1	• Bracket	
28	3851587	1	• Heat exchanger	
	841063	1	• • Zinc anod	
	841068	2	• • Screw	
	861551	2	• • Plug	
	3851589	2	• • Cap	
	3851590	2	• • Gasket	
29	961611	1	• • Elbow nipple	
30	3851414	1	• • Connection pipe	
31	3851385	1	• • Plug	
32	3851591	1	• Hose	
33	3851592	1	• Hose	
34	3851593	1	• Hose	
35	3851594	1	• Connection pipe	
36	3851595	1	• Brace	
37	3852111	2	• Gasket	
38	3853391	1	• Screw	
39	3853401	3	• Screw	
40	961669	2	• Hose clamp	
41	3851598	1	• Fitting	
42	3851962	2	• Spacer	7.4Gi/GSi,8.2 GSi
	943367	1	• Hose	See no. 23, FWC installation instructions (P/N 7736034)
	961663	2	• Clamp	See no. 23, FWC installation instructions (P/N 7736034)
	3853598	1	• Elbow	See no. 23, FWC installation instructions (P/N 7736034)