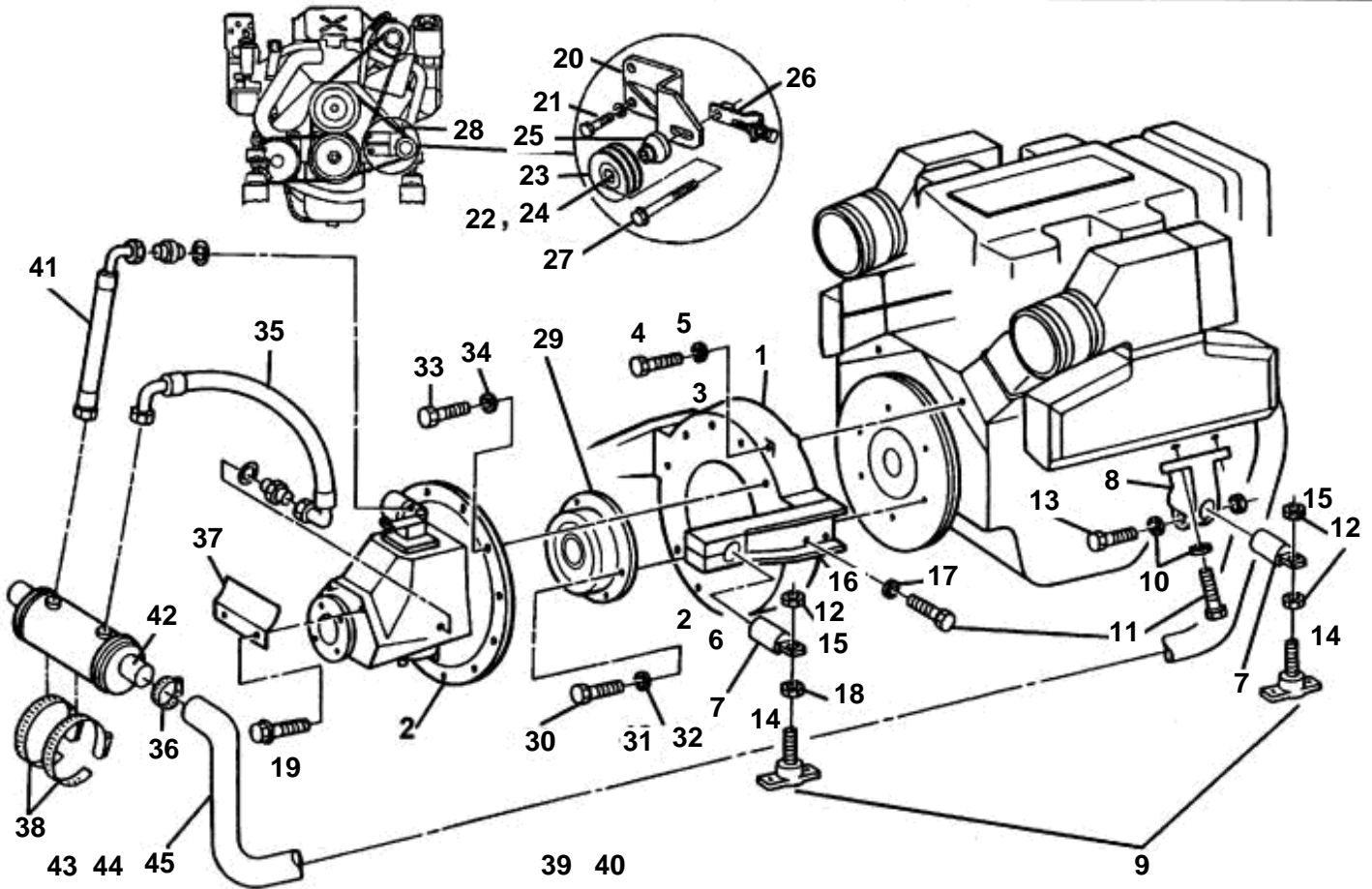


7.4GLIMDA, 7.4GLIMDM, 8.2GLIMDA, 8.2GLIMDM



7.4GLIMDA, 7.4GLIMDM, 8.2GLIMDA, 8.2GLIMDM

REF	PART NO.	QTY	DESCRIPTION	NOTES
1	857334	1	Flywheel housing	
		1	Cover plate	Not shown, Part not sold
2		1	Transmission	See HS1A catalog
3	943589	1	Plug	Not shown
4	955542	6	Screw, Flywheel housing	
5	942336	6	Spring washer, Flywheel housing	
6	947224	4	Screw, cover plate	Not shown
7	841247	4	Pin, Engine mount	
8		2	Engine mountings	
9	857251	4	Rubber cushion, Rubber	
10	941914	6	Spring washer	
11	955535	6	Screw, Mount bracket to engine	Front
	946472	8	Screw, Mount brkt. to engine	Rear
12	950355	4	Nut	
13	955551	2	Screw	
14	955902	6	Washer, Large	Not shown
15	955896	2	Washer, Small	Not shown
16		2	Engine mountings	
17	941909	2	Spring washer, Rear mount	
18	955860	2	Nut, Rear mount	
19	955552	2	Screw	
20		1	Bracket, Belt tensioner	
21	940134	2	Screw	
22	181875	1	Ball bearing, Tensioner	
23	861558	1	Pulley, Tensioner	
24	914526	1	Snap ring	
25		1	Sleeve	
26	861672	1	Tensioner	
27	965187	1	Screw, Tensioner	
28	3853368	1	V-belt	
29	854185	1	Vibration damper	
30	835482	6	Screw	
31	940097	6	Washer, Damper	
32	942336	6	Spring washer, Damper	
33	946752	11	Flange screw	
34	941908	11	Spring washer	
35	3851872	1	Hose, Pump to cooler	
36	961669	2	Hose clamp	
37		1	Bracket	
38	857045	1	Clamp	
39	946440	1	Flange screw	Not shown
40	948645	1	Lock nut	Not shown
41	3852332	1	Hose, Oil cooler to pump	
42		1	Oil cooler	See HS1A catalog
43	3851911	1	Bushing	Not shown
44		1	Clamp, Oil cooler	Not shown
45	3851910	1	Tube	