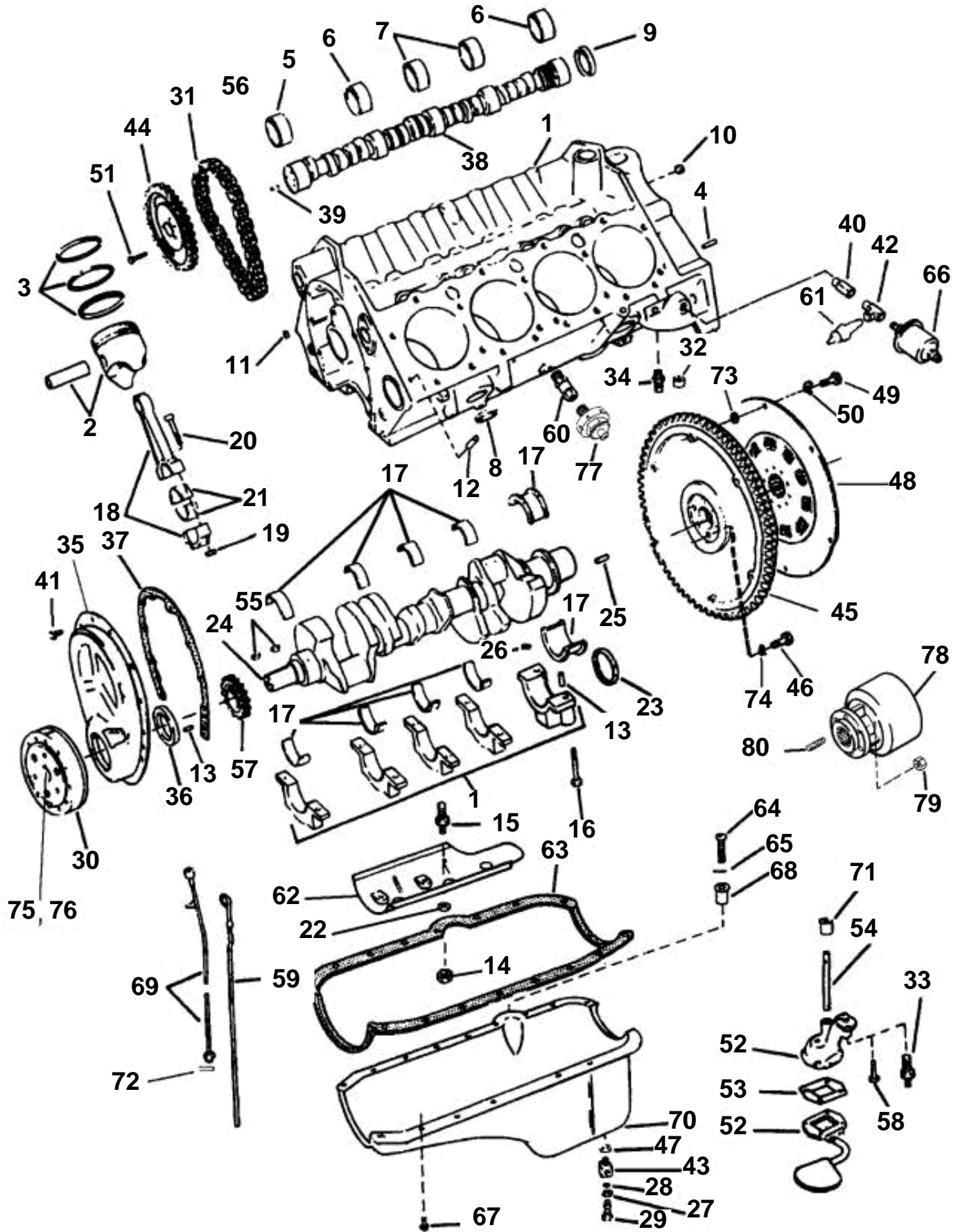


7.4GLPMDA, 8.2GLPMDA, 7.4GLIMDA, 8.2GLIMDA



7.4GLPMDA, 8.2GLPMDA, 7.4GLIMDA, 8.2GLIMDA

| REF | PART NO. | QTY | DESCRIPTION | SEE SEC. | NOTES |
|-----|----------|-----|---|-------------|-------------------------------------|
| 1 | 3850854 | 1 | Longblock · Bulletin P-21-0-6 | P-21-0-6-EN | Longblock Guidelines, 7.4L and 8.2L |
| 2 | 3853517 | 8 | Piston, Standard | | |
| | 3853519 | 1 | Piston, 0.030 in. OS | | |
| 3 | 3854120 | 1 | Piston ring kit, Standard | | |
| | | 1 | Piston ring kit, 0.030 in. OS | | |
| 4 | | 2 | Locating pin, Flywheel housing | | |
| 5 | 3856881 | 1 | Camshaft bearing kit · Camshaft bearing, Camshaft, #1 | | |
| 6 | 3853346 | 2 | · Camshaft bearing, Camshaft, #2 & rear | | |
| 7 | 3853347 | 2 | · Camshaft bearing, Cam #3 & #4 | | |
| 8 | 3852100 | 1 | Core plug, Engine block | | |
| 9 | 3853348 | 1 | Core plug, Camshaft bearing | | Rear |
| 10 | 3852471 | 10 | Plug, Oil gallery | | |
| 11 | 3852471 | 3 | Plug, Oil gallery, front | | |
| 12 | 3853344 | 4 | Locating pin, Cylinder head | | |
| 13 | 3853213 | 4 | Pin, Front cover | | |
| 14 | 3853134 | 5 | Nut, Oil pan baffle | | |
| 15 | 3853529 | 4 | Stud, Bearing cap | | |
| 16 | 3853500 | 10 | Screw, Bearing cap, outer | | |
| | 3853501 | 6 | Screw, Bearing cap, inner | | |
| 17 | 3856880 | 1 | Main bearing kit, Standard · Thrust bearing, Standard, main thrust | | |
| | 3853541 | 1 | · Main bearing, Standard, main, #1 | | |
| | 3855986 | 3 | · Main bearing, Standard, main, #2, 3, & 4 | | |
| 18 | 3854079 | 8 | Connecting rod | | |
| 19 | 3853413 | 16 | Nut, Connecting rod | | |
| 20 | 3853481 | 16 | Screw, Connecting rod | | |
| 21 | 3853540 | 8 | Rod bearing, Rod, standard | | |
| 22 | 3853357 | 5 | Washer, Oil pan baffle | | |
| 23 | 3853528 | 1 | Crankshaft seal, Rear main | | |
| 24 | 3853509 | 1 | Crankshaft Woodruff key, Crankshaft | | Not shown |
| 25 | 3853200 | 1 | Pin, Flywheel dowel | | |
| 26 | 3853538 | 1 | O-ring, Rear main bearing cap | | |
| 27 | 3852007 | 1 | Washer, Retainer, oil pan drain | | |
| 28 | 3853674 | 1 | O-ring, Retainer, oil pan drain | | |
| 29 | 3850822 | 1 | Hollow screw, Oil pan drain | | 12mm |
| | 3852694 | 1 | Hollow screw | | ½-20 UNF |
| 30 | 3854092 | 1 | Vibration damper, Torsional | | |
| 31 | 3853506 | 1 | Camshaft chain, Camshaft timing | | |
| 32 | 3854112 | 1 | Valve, Engine block | | |
| 33 | 3853359 | 1 | Stud, Oil pump & screen | | |
| 34 | 3852097 | 1 | Connector, Oil filter adapter | | |
| 35 | 3853508 | 1 | Timing gear casing, Timing | | |
| 36 | 3853360 | 1 | Seal, Front cover | | |
| 37 | 3853512 | 1 | Gasket, Timing cover | | |
| 38 | 3855034 | 1 | Camshaft | | |
| 39 | 3853213 | 1 | Pin, Camshaft sprocket | | |
| 40 | 3852465 | 1 | Bushing, Sender, oil pressure | | |
| 41 | 3852441 | 6 | Screw, Timing cover | | |
| 42 | 3852610 | 1 | T-nipple, Oil pressure switch | | |
| 43 | 3855112 | 1 | Fitting, Oil pan drain | | |
| 44 | 3853523 | 1 | Sprocket, Camshaft | | |
| 45 | 3854903 | 1 | Hose · Gear ring | | |
| 46 | 946471 | 2 | Screw | | |
| 47 | 3851981 | 1 | Sealing washer, Fitting to oil pan | | |
| 48 | 854185 | 1 | Vibration damper, 290 DP | | |
| 49 | 835482 | 6 | Screw, Torsional damper to flywheel | | |
| 50 | 942336 | 6 | Spring washer, Screw, damper to flywheel hsg | | |
| 51 | 3853173 | 3 | Screw, Camshaft sprocket | | |
| 52 | 3854102 | 1 | Oil pump | | |

7.4GLPMDA, 8.2GLPMDA, 7.4GLIMDA, 8.2GLIMDA

| REF | PART NO. | QTY | DESCRIPTION | SEE SEC. | NOTES |
|-----|----------|-----|--|----------|---------------|
| 52 | 3853213 | 1 | Pin, Oil pump | | Not shown |
| 53 | 3853514 | 1 | Gasket, Oil pump | | |
| 54 | 3853482 | 1 | Shaft, Oil pump drive | | |
| 55 | 3853527 | 2 | Woodruff key, Woodruff, torsional damper | | |
| 56 | 3855998 | 1 | Retainer, camshaft | | |
| | 3853172 | 2 | Screw, Retainer | | |
| 57 | 3856031 | 1 | Crankshaft gear, Crankshaft | | |
| 58 | 3853359 | 1 | Stud, Oil pump & screen | | Pump to block |
| 59 | 3850474 | 1 | Oil dipstick | | |
| 60 | 3854494 | 2 | Drain cock, Engine water drain | | |
| 61 | 3852215 | 1 | Sender, Oil pressure | | |
| 62 | 3854090 | 1 | Baffle plate, Oil pan | | |
| 63 | 3853510 | 1 | Gasket, Oil pan | | |
| 64 | 3852179 | 1 | Screw, Oil pan plug | | |
| 65 | 3852188 | 1 | Washer, Oil pan oil plug | | |
| 66 | 3853800 | 1 | Oil pressure sensor, Oil pressure | | |
| | 872064 | 1 | Sender, Oil pressure, dual station | | |
| 67 | 3853358 | 20 | Screw, Oil pan | | |
| 68 | 3852611 | 1 | Plug, Oil pan hole | | |
| 69 | 3854180 | 1 | Tube, Oil dipstick | | |
| 70 | 3854103 | 1 | Oil pan | | |
| 71 | 3853199 | 1 | Retainer, Oil pump shaft | | |
| 72 | 3852033 | 1 | O-ring, Oil gage tube to fitting | | |
| 73 | 940097 | 6 | Washer, Screw, damper to flywheel | | |
| 74 | 941909 | 6 | Spring washer, Flywheel | | |
| 75 | 3853502 | 1 | Flange screw, Torsional damper | | |
| 76 | 3853354 | 1 | Washer, Torsional damper | | |
| 77 | 3854512 | 1 | Sensor, knock | | |
| 78 | 3853962 | 1 | Rubber coupling | | SX, DP-S |
| 79 | 3853273 | 6 | Lock nut | | SX, DP-S |
| 80 | 3853274 | 6 | Stud | | SX, DP-S |