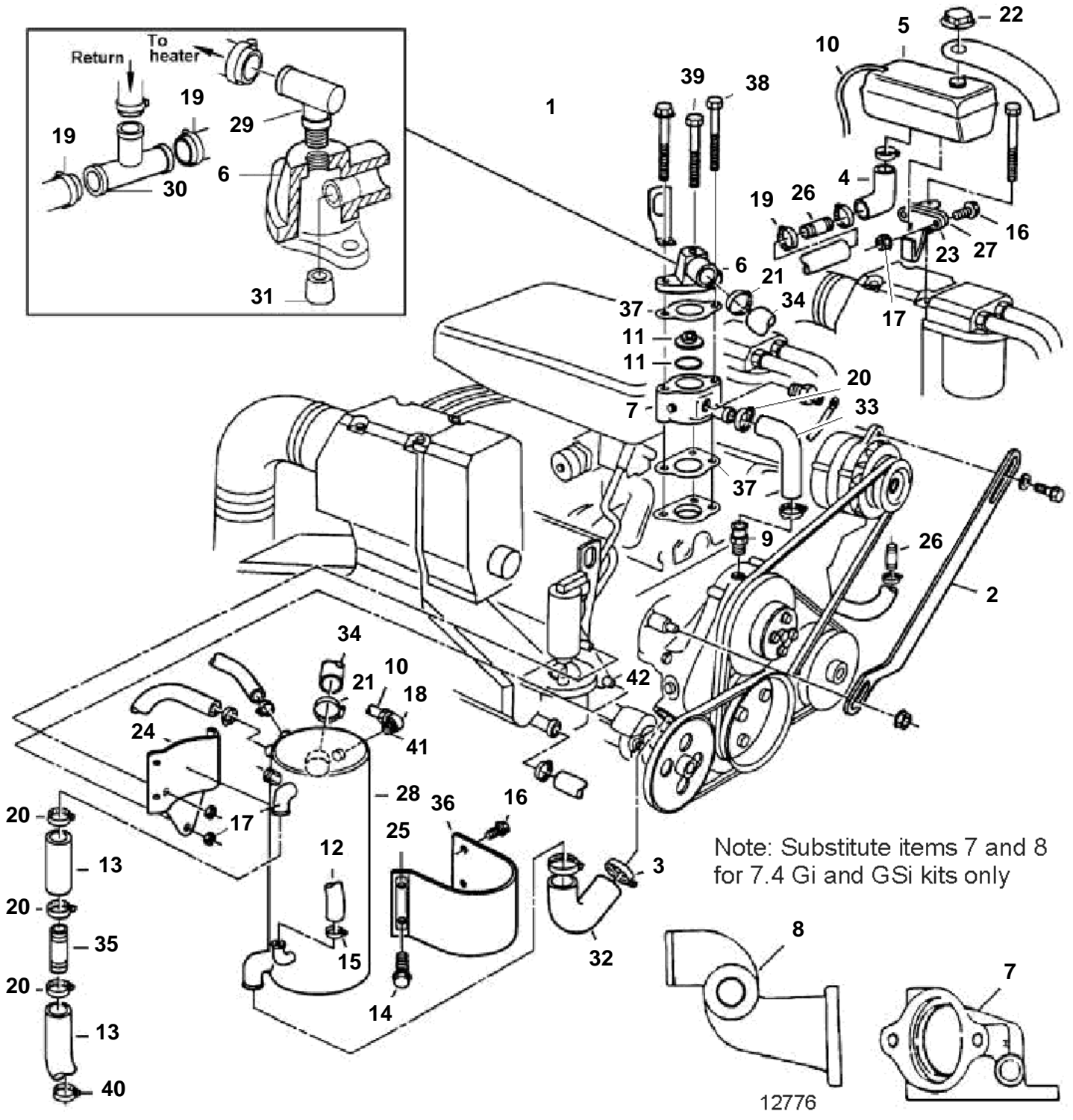


7.4GLPLKD, 7.4GLPLKE, 7.4GIPLKDCE, 7.4GIPLKECE, DPX385XLKE, DPX415XLKE



7.4GLPLKD, 7.4GLPLKE, 7.4GIPLKDCE, 7.4GIPLKECE, DPX385XLKE, DPX415XLKE

| REF | PART NO. | QTY | DESCRIPTION | NOTES |
|-----|----------|-----|-----------------------------|---|
| 1 | 3851839 | 1 | Freshwater cool kit | 7.4Gi/GSi,8.2 GSi |
| | 3851540 | 1 | Freshwater cool kit | 7.4 GL |
| 2 | 3851415 | 1 | • Stay | 7.4 GL |
| 3 | 961672 | 2 | • Hose clamp | |
| 4 | 857500 | 1 | • Hose | |
| 5 | 861105 | 1 | • Expansion tank | |
| 6 | 3851384 | 1 | • Thermostat housing | 7.4 GL only |
| | 479977 | 1 | • • Plug | 7.4 GL only |
| | 968145 | 1 | • • Plug | 7.4 GL only |
| | 3851838 | 1 | • Thermostat housing | 7.4Gi/GSi,8.2 GSi |
| | 968146 | 1 | • • Plug | 7.4Gi/GSi,8.2 GSi |
| | 968147 | 1 | • • Plug | 7.4Gi/GSi,8.2 GSi |
| 7 | 3851836 | 1 | • Thermostat housing | 7.4 / 8.2 GL |
| | 3851383 | 1 | • Thermostat housing, lower | |
| | 968147 | 1 | • • Plug | not sold separately |
| 8 | | 1 | • Housing | 7.4Gi/GSi,8.2 GSi |
| 9 | 479974 | 1 | • Nipple | |
| 10 | 942700 | 1 | • Hose | |
| 11 | 875788 | 1 | • Thermostat kit | |
| | 416033 | 1 | • • Sealing ring | |
| 12 | 943369 | 1 | • Hose | |
| 13 | 944386 | 1 | • Hose | |
| 14 | 945444 | 2 | • Flange screw | |
| 15 | 945652 | 4 | • Hose clamp | |
| 16 | 946173 | 2 | • Flange screw | |
| 17 | 948645 | 6 | • Lock nut | |
| 18 | 180254 | 1 | • Elbow nipple | |
| 19 | 961666 | 14 | • Hose clamp | |
| 20 | 961667 | 2 | • Hose clamp | |
| 21 | 961670 | 2 | • Hose clamp | |
| 22 | 1357775 | 1 | • Pressure cap | |
| 23 | 3851363 | 1 | • Bracket | |
| 24 | 3851394 | 1 | • Bracket | |
| 25 | 3851396 | 1 | • Bar | |
| 26 | 3851413 | 2 | • Connection pipe | |
| 27 | 3851530 | 1 | • Bracket | |
| 28 | 3851587 | 1 | • Heat exchanger | |
| | 841063 | 1 | • • Zinc anod | |
| | 841068 | 2 | • • Screw | |
| | 861551 | 2 | • • Plug | |
| | 3851589 | 2 | • • Cap | |
| | 3851590 | 2 | • • Gasket | |
| 29 | 961611 | 1 | • • Elbow nipple | |
| 30 | 3851414 | 1 | • • Connection pipe | |
| 31 | 3851385 | 1 | • • Plug | |
| 32 | 3851591 | 1 | • Hose | |
| 33 | 3851592 | 1 | • Hose | |
| 34 | 3851593 | 1 | • Hose | |
| 35 | 3851594 | 1 | • Connection pipe | |
| 36 | 3851595 | 1 | • Brace | |
| 37 | 3852111 | 2 | • Gasket | |
| 38 | 3853391 | 1 | • Screw | |
| 39 | 3853401 | 3 | • Screw | |
| 40 | 961669 | 2 | • Hose clamp | |
| 41 | 3851598 | 1 | • Fitting | |
| 42 | 3851962 | 2 | • Spacer | 7.4Gi/GSi,8.2 GSi |
| | 943367 | 1 | • Hose | See no. 23, FWC installation instructions (P/N 7736034) |
| | 961663 | 2 | • Clamp | See no. 23, FWC installation instructions (P/N 7736034) |
| | 3853598 | 1 | • Elbow | See no. 23, FWC installation instructions (P/N 7736034) |