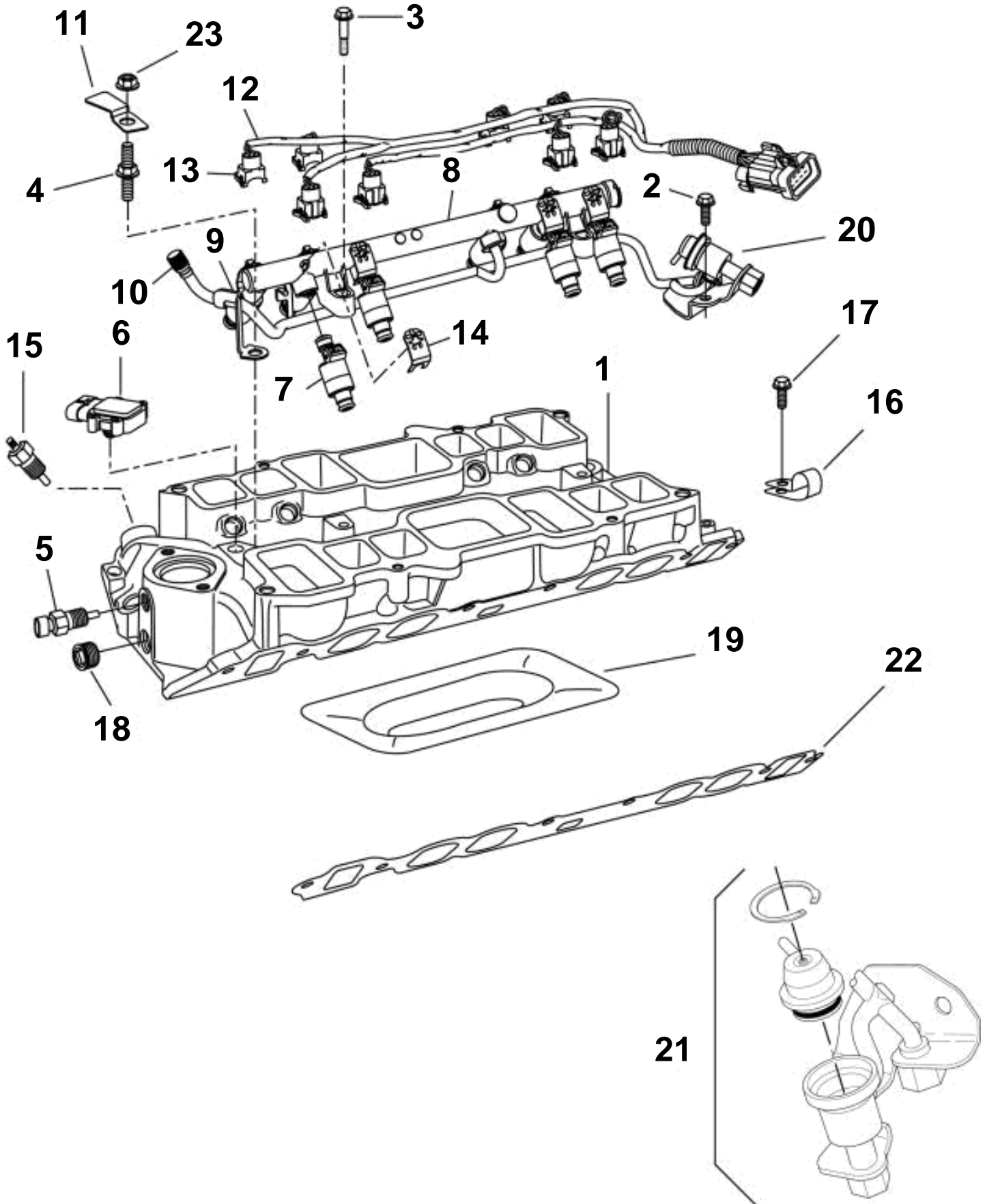


7.4GIPBYCCE, 7.4GIPBYDCE



## 7.4GIPBYCCE, 7.4GIPBYDCE

| REF | PART NO. | QTY | DESCRIPTION                             | NOTES                                  |
|-----|----------|-----|---|--|
| 1   | 3857684  | 1   | Manifold, Lower                         |  |
| 2   | 3852595  | 2   | Screw, Fuel rail, rear                  |  |
| 3   |          | 2   | Screw, Fuel rail, middle                |  |
| 4   |          | 1   | Stud, Fuel rail, front                  |  |
| 5   | 3850397  | 1   | Switch                                  |  |
| 6   | 3857479  | 1   | Sender                                  |  |
| 7   | 3857700  | 8   | Injector                                |  |
|     | 3855192  | X   | · O-ring, Fuel injectors                | Pack of 12 o-rings, 6 seals; not shown |
| 8   | 3857692  | 1   | Fuel pipe                               |  |
| 9   | 3857698  | 1   | · Valve                                 |  |
| 10  | 3853616  | 1   | · · Protective cap                      |  |
| 11  | 3857682  | 1   | Retainer, MAP sensor                    |  |
| 12  | 3858053  | 1   | Cable kit, Fuel injectors               |  |
| 13  | 3857690  | X   | · Connector, Fuel injectors             |  |
| 14  | 3858052  | 1   | Clip, Fuel injectors                    | Pack of 8                              |
| 15  | 3852029  | 1   | Sender                                  |  |
|     | 872068   | 1   | Sender                                  | Dual station                           |
| 16  | 3852434  | 2   | Clamp, Engine cable to intake           |  |
| 17  | 3853419  | 1   | Screw, Engine cable clamp to intake     |  |
| 18  | 3850999  | 1   | Plug, Intake by-pass hole               |  |
| 19  |          | 1   | Shield, Oil splash                      |  |
| 20  | 3857703  | 1   | Fuel press regulator                    |  |
| 21  | 3857699  | X   | · Gasket kit, Fuel pressure regulator   |  |
| 22  | 3857680  | 1   | Inlet gasket kit, Lower intake to block |  |
| 23  | 3857683  | 1   | Nut, MAP sensor retainer                |  |
|     | 3855983  | 12  | Screw, Lower intake to block            | Not shown                              |