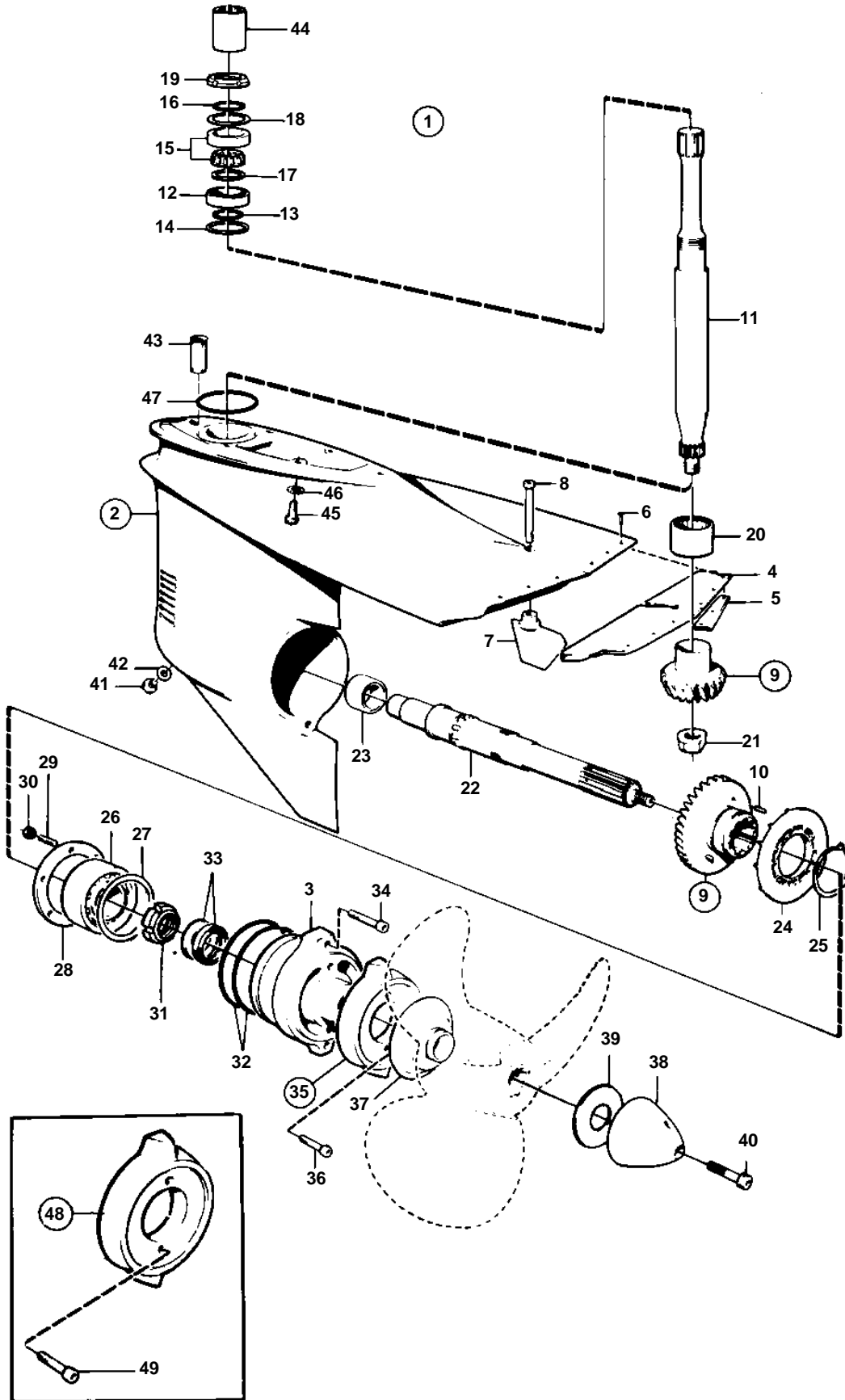


DRIVE SP-A1,SP-A2



10466

DRIVE SP-A1,SP-A2

REF	PART NO.	QTY	DESCRIPTION	SEE SEC.	NOTES
1	854635	1	Gear under		ALSO AVAILABLE AS AN EXCHANGE PART. Exchange unit
	3803154	1	Gear under, exchange		
2	854042	1	• Housing		
3	854044	1	• • Bearing housing		
4	852644	1	• • Check valve		
5	852643	2	• • Attaching plate		
6	948338	6	• • Pop rivet		
7	854040	1	• Steering fin		
8	959440	1	• Screw		
9	872050	1	• Gear set		RATIO 1,61:1
10	948407	2	• • Spring pin		
11	854889	1	• Countershaft		
12	183374	1	• Ball bearing		
13	941832	X	• Adjusting washer		TH = 0,05 MM
	941833	X	• Adjusting washer		TH = 0,20 MM
14	832191	1	• Gasket	IK	
15	11072	1	• Roller bearing		
16	897387	1	• Spacer ring		
17	944970	X	• Adjusting washer		TH = 1,60 MM
18	944522	X	• Shim		TH = 0,05 MM
	42981	X	• Shim		TH = 0,10 MM
	42980	X	• Shim		TH = 0,35 MM
	968057	X	• Shim		TH = 0,20 MM
19	969071	1	• Round nut	IK	
20	183497	1	• Needle bearing		
21	854300	1	• Nut	IK	
23	814165	1	• Washer	IK	
22	854657	1	• Driveshaft		
23	183390	1	• Needle bearing		
24	832548	1	• Pump rotor		
25	914474	1	• Lock ring	IK	
26	854541	1	• Ball bearing		
27	944561	X	• Adjusting washer		TH = 0,05 MM
	944562	X	• Adjusting washer		TH = 0,10 MM
	851767	X	• Adjusting washer		TH = 0,20 MM
28	832725	1	• Washer		
29	953449	6	• Stud		
30	955825	6	• Nut		
31	969073	1	• Round nut		
32	925261	2	• O-ring		
33	897426	2	• Sealing ring		
34	941812	2	• Screw		
35	875815	1	• Zinc ring kit		
36	941809	2	• • Screw		
37	872082	1	• Line cutter		
38	854045	1	• Propeller cone		
39	850888	1	• Washer		
40	850889	1	• Screw		
41	839354	1	• Plug		
42	955974	1	• O-ring	IK	
43	814482	1	• Oil pump screen		
44	854553	1	Splined sleeve		INCLUDED IN COMPLETE DRIVE UNIT
			Bulletin P-44-1-6	P-44-1-6-EN	Lower Gear Unit
45	941810	4	Screw	IK	INCLUDED IN COMPLETE DRIVE UNIT
46	853095	4	Washer		INCLUDED IN COMPLETE DRIVE UNIT
47	925256	1	O-ring	IK	INCLUDED IN COMPLETE DRIVE UNIT
48	876137	1	Magnesium kit		TO BE USED IN FRESH-WATER.
49	941809	2	• Screw		