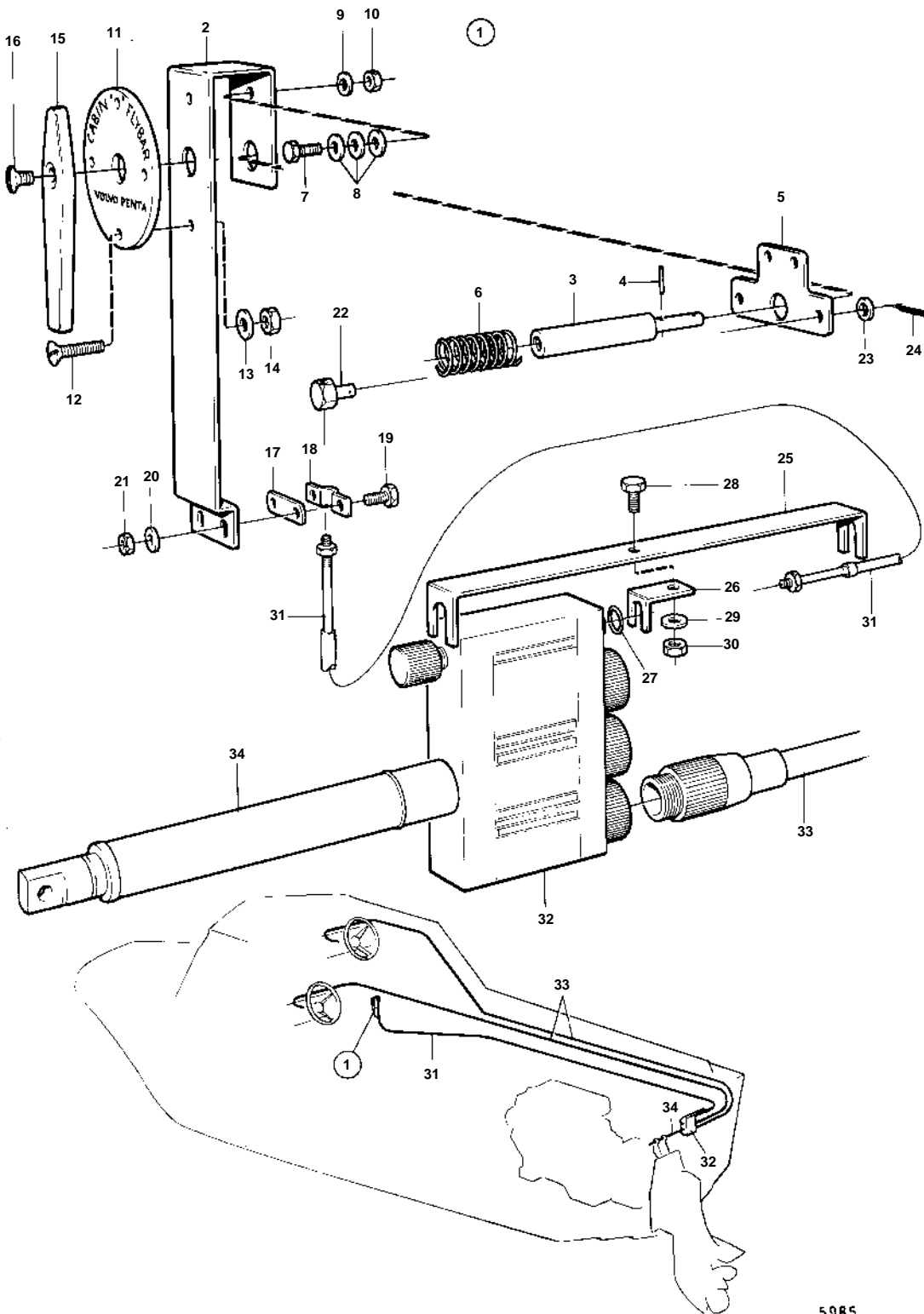


500A, 501A, 501A/MS4



5985

500A, 501A, 501A/MS4

REF	PART NO.	QTY	DESCRIPTION	SEE SEC.	NOTES
1		1	Control		
2		1	• Bracket		
3		1	• Shaft		
4		2	• Spring pin		
5		1	• Lever		
6		1	• Compression spring		
7		1	• Hex. socket screw		
8	960137	3	• Washer		
9	955945	1	• Toothed washer		
10	955779	1	• Hexagon nut		
11		1	• Ring		
12		4	• Screw		L = 20 MM ALT
		4	• Screw		L = 30 MM ALT
		4	• Screw		L = 40 MM ALT
13		4	• Toothed washer		
14	955780	4	• Hexagon nut		
15		1	• Handle		
16		1	• Screw		
17	819068	1	• Washer		
18	21471054	1	• Bracket		
19		2	• Hexagon screw		
20		2	• Toothed washer		
21	955780	2	• Hexagon nut		
22	804312	1	• Cube		
23	940191	1	• Washer		
24	907834	1	• Split pin		(17276)
25		1	• Bracket		
26		1	• Bracket		
27	850418	1	• O-ring		
28		1	• Hexagon screw		
29		1	• Toothed washer		
30	955780	1	• Hexagon nut		
31	825765	X	Choke control		L = 3300 MM ALT
			Bulletin P-27-6-2	P-27-6-2-EN	End of Production - Stop Cables
31	825764	X	Choke control		L = 6900 MM ALT
			Bulletin P-27-6-2	P-27-6-2-EN	End of Production - Stop Cables
32		1	Transfer gear		
33		X	STEERING CABLE	19786	
34		X	STEERING CYLINDER	19786	