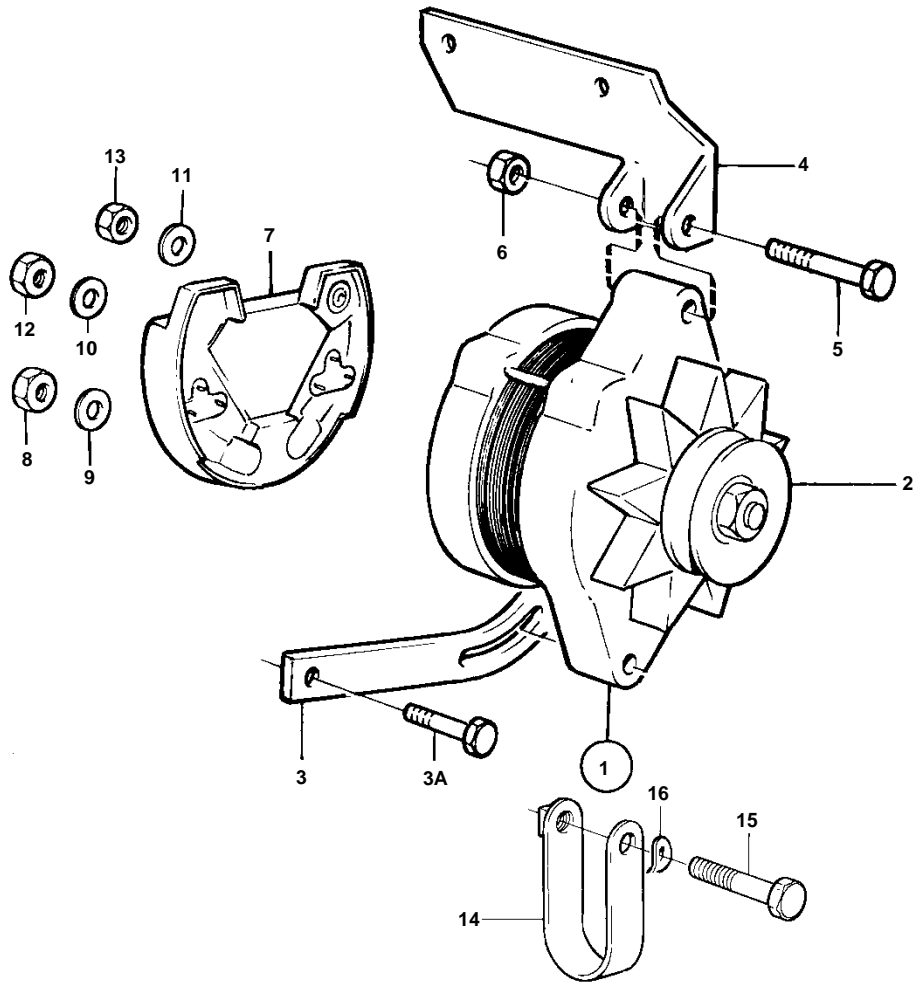


500A, 501A



8064

**500A, 501A**

REF	PART NO.	QTY	DESCRIPTION	SEE SEC.	NOTES
1	858838	1	Alternator		FOR 12 VOLTAGE ELECTRIC SYSTEM., ALSO AVAILABLE AS AN EXCHANGE PART.
				19752	SN 71372-
2	841813	1	Pulley		
3	855390	1	Tensioner		SN 67511-
3A	955534	1	Hexagon screw		
4		1	Anchorage		
5	955700	1	Hexagon screw		
6	950375	1	Lock nut		
7	840638	1	Junction block		REPL BY 858968
	858968	1	Junction block		
8	955781	2	· Hexagon nut		
9	941906	2	· Spring washer		
10	941906	1	Spring washer		
11	941905	1	Spring washer		
12	955781	1	Hexagon nut		+
13	955780	1	Hexagon nut		
14	466735	1	Tensioning eyelet		
15	955298	1	Hexagon screw		
16	941907	1	Spring washer		