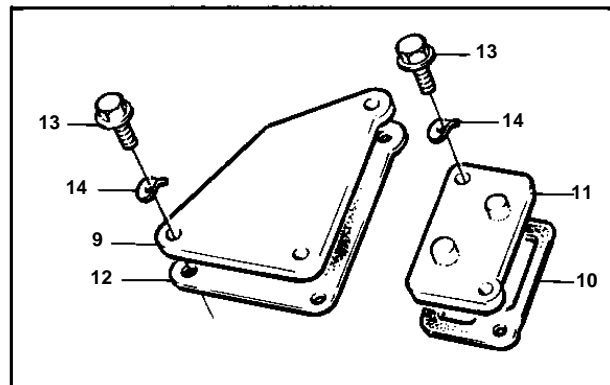
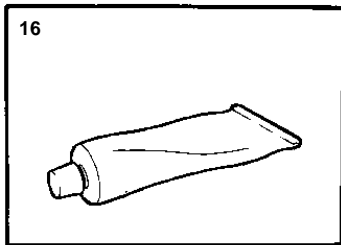
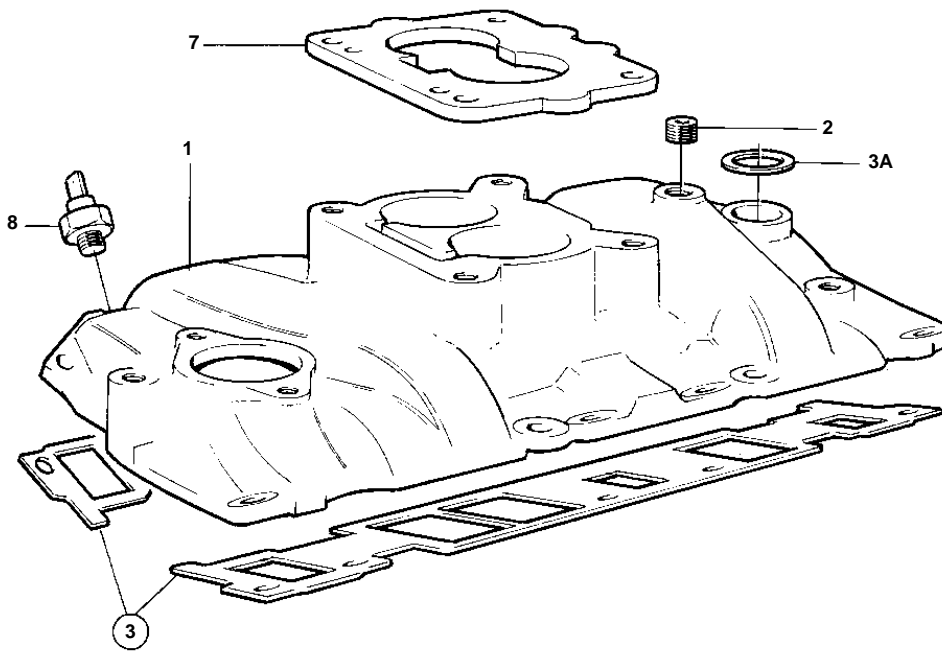
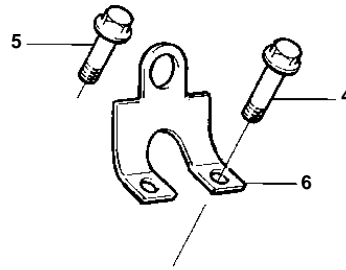
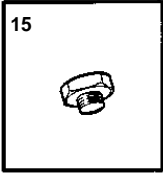


500A



10440

500A

REF	PART NO.	QTY	DESCRIPTION	NOTES
1	856066	1	Inlet pipe	
2	968145	2	Plug	
3	856365	1	Gasket kit	
3A	835154	1	· Gasket	
4	855597	4	Screw	
5	855824	8	Screw	
6		1	LIFT EYE	
7		1	Gasket	SEE GROUP 2C
8	835630	1	Temperature sensor	SEE GROUP 3
9	834926	1	Cardboard tube	
10	855966	1	Gasket	
11	834928	1	Tube	
12	834927	1	Gasket	
13	940135	4	Hexagon screw	
14	941907	4	Spring washer	
15	952075	1	Plug	SEE GROUP 2C
16	841261	X	Sealant	SEE GROUP 9