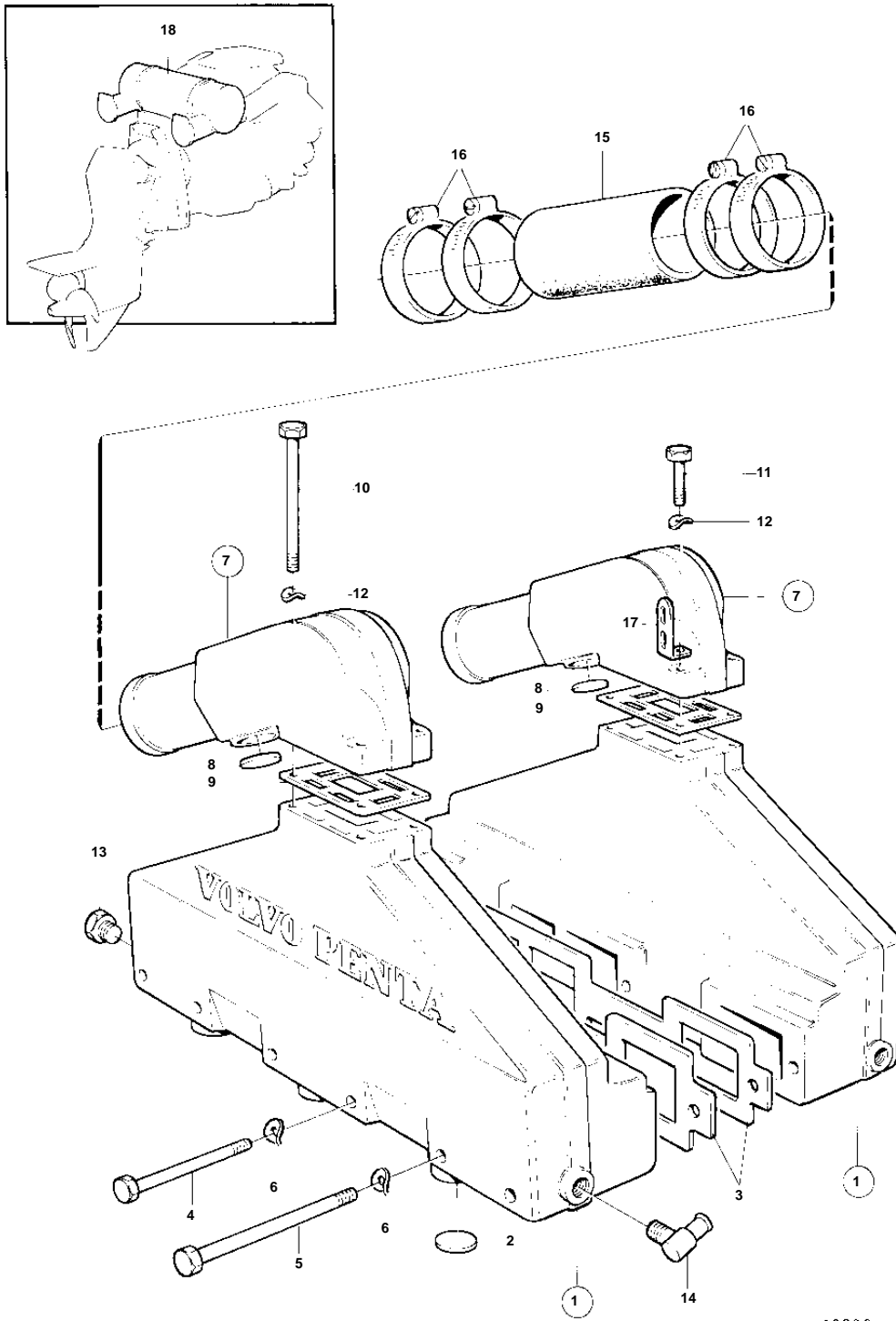


500A, 501A



10309

500A, 501A

REF	PART NO.	QTY	DESCRIPTION	SEE SEC.	NOTES
1	855926	2	Exhaust pipe		
2	477024	6	· Expansion plug		
3	856034	2	Gasket		SN 78795-
4	942268	8	Hexagon screw		
5	942547	4	Hexagon screw		
6	942336	12	Spring washer		
7		2	EXHAUST RISER		REPLACED BY 1EA 855384, 2EA 940136 SCREW AND 2EA 948828 SCREW.
8	477024	2	· Expansion plug		
9	856039	2	Gasket		
10	192548	4	Hexagon screw		
11	940186	4	Hexagon screw		
12	941907	8	Spring washer		
13	192154	2	Plug		
14	961610	2	Hose nipple	19731	
15	834751	2	Exhaust hose, HOSE		FOR ENGINE WITHOUT SILENCER., L = 2X160 MM SEE GROUP 2A
16	853012	8	Hose clamp		FOR ENGINE WITHOUT SILENCER., SEE GROUP 2A
17	965552	1	Bracket		
18		X	MUFFLER		SEE GROUP 9