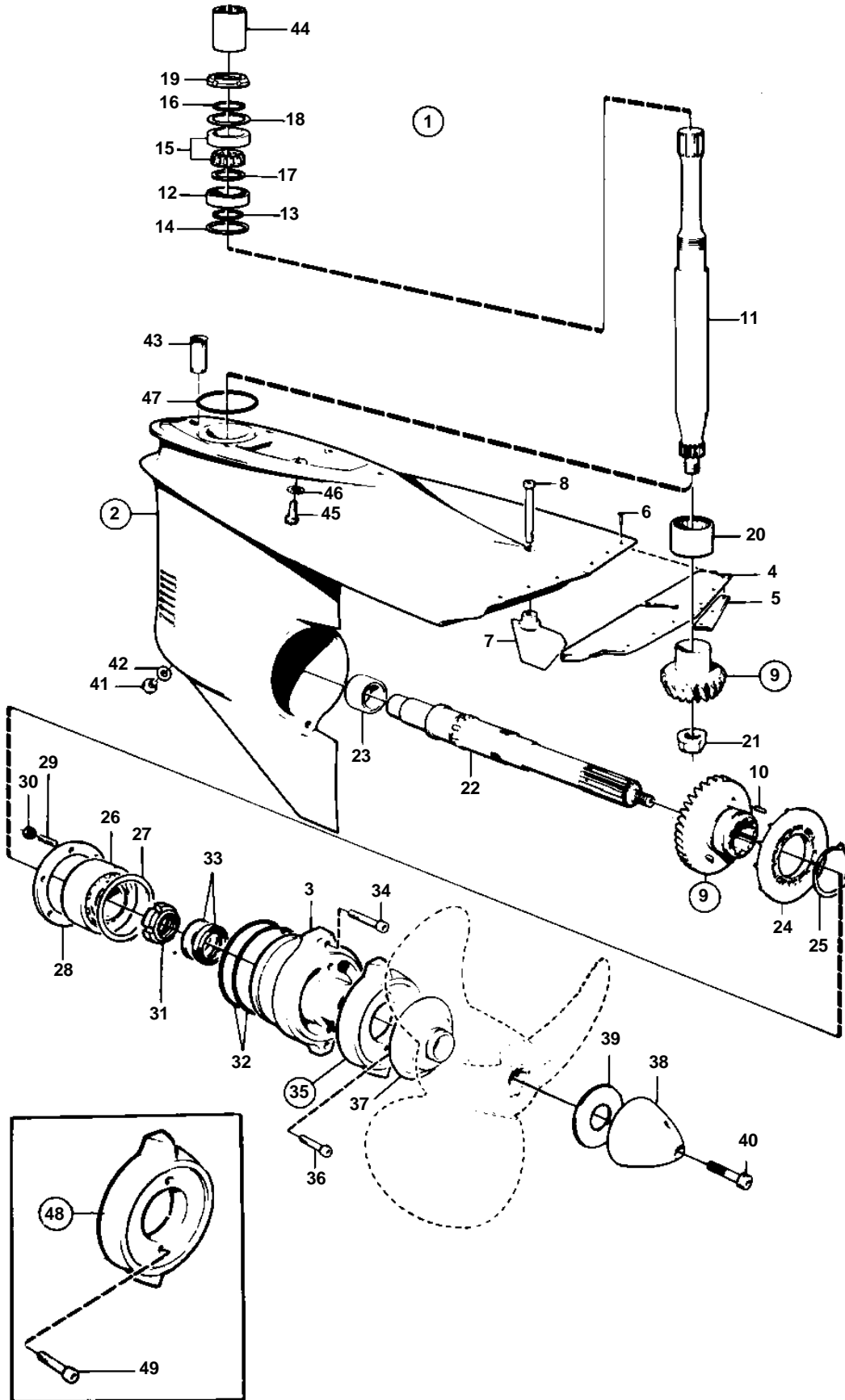


DRIVE SP-A1, SP-A2



10466

DRIVE SP-A1,SP-A2

| REF | PART NO. | QTY | DESCRIPTION | SEE SEC. | NOTES |
|-----|----------|-----|----------------------|-------------|--|
| 1 | 854635 | 1 | Gear under | | ALSO AVAILABLE AS AN EXCHANGE PART. Exchange unit |
| | 3803154 | 1 | Gear under, exchange | | |
| 2 | 854042 | 1 | · Housing | | |
| 3 | 854044 | 1 | · · Bearing housing | | |
| 4 | 852644 | 1 | · · Check valve | | |
| 5 | 852643 | 2 | · · Attaching plate | | |
| 6 | 948338 | 6 | · · Pop rivet | | |
| 7 | 854040 | 1 | · Steering fin | | |
| 8 | 959440 | 1 | · Screw | | |
| 9 | 872050 | 1 | · Gear set | | RATIO 1,61:1 |
| 10 | 948407 | 2 | · · Spring pin | | |
| 11 | 854889 | 1 | · Countershaft | | |
| 12 | 183374 | 1 | · Ball bearing | | |
| 13 | 941832 | X | · Adjusting washer | | TH = 0,05 MM |
| | 941833 | X | · Adjusting washer | | TH = 0,20 MM |
| 14 | 832191 | 1 | · Gasket | IK | |
| 15 | 11072 | 1 | · Roller bearing | | |
| 16 | 897387 | 1 | · Spacer ring | | |
| 17 | 944970 | X | · Adjusting washer | | TH = 1,60 MM |
| 18 | 944522 | X | · Shim | | TH = 0,05 MM |
| | 42981 | X | · Shim | | TH = 0,10 MM |
| | 42980 | X | · Shim | | TH = 0,35 MM |
| | 968057 | X | · Shim | | TH = 0,20 MM |
| 19 | 969071 | 1 | · Round nut | IK | |
| 20 | 183497 | 1 | · Needle bearing | | |
| 21 | 854300 | 1 | · Nut | IK | |
| 23 | 814165 | 1 | · Washer | IK | |
| 22 | 854657 | 1 | · Driveshaft | | |
| 23 | 183390 | 1 | · Needle bearing | | |
| 24 | 832548 | 1 | · Pump rotor | | |
| 25 | 914474 | 1 | · Lock ring | IK | |
| 26 | 854541 | 1 | · Ball bearing | | |
| 27 | 944561 | X | · Adjusting washer | | TH = 0,05 MM |
| | 944562 | X | · Adjusting washer | | TH = 0,10 MM |
| | 851767 | X | · Adjusting washer | | TH = 0,20 MM |
| 28 | 832725 | 1 | · Washer | | |
| 29 | 953449 | 6 | · Stud | | |
| 30 | 955825 | 6 | · Nut | | |
| 31 | 969073 | 1 | · Round nut | | |
| 32 | 925261 | 2 | · O-ring | | |
| 33 | 897426 | 2 | · Sealing ring | | |
| 34 | 941812 | 2 | · Screw | | |
| 35 | 875815 | 1 | · Zinc ring kit | | |
| 36 | 941809 | 2 | · · Screw | | |
| 37 | 872082 | 1 | · Line cutter | | |
| 38 | 854045 | 1 | · Propeller cone | | |
| 39 | 850888 | 1 | · Washer | | |
| 40 | 850889 | 1 | · Screw | | |
| 41 | 839354 | 1 | · Plug | | |
| 42 | 955974 | 1 | · O-ring | IK | |
| 43 | 814482 | 1 | · Oil pump screen | | |
| 44 | 854553 | 1 | Splined sleeve | | INCLUDED IN COMPLETE DRIVE UNIT |
| | | | Bulletin P-44-1-6 | P-44-1-6-EN | Lower Gear Unit |
| 45 | 941810 | 4 | Screw | IK | INCLUDED IN COMPLETE DRIVE UNIT |
| 46 | 853095 | 4 | Washer | | INCLUDED IN COMPLETE DRIVE UNIT |
| 47 | 925256 | 1 | O-ring | IK | INCLUDED IN COMPLETE DRIVE UNIT |
| 48 | 876137 | 1 | Magnesium kit | | TO BE USED IN FRESH-WATER. |
| 49 | 941809 | 2 | · Screw | | |