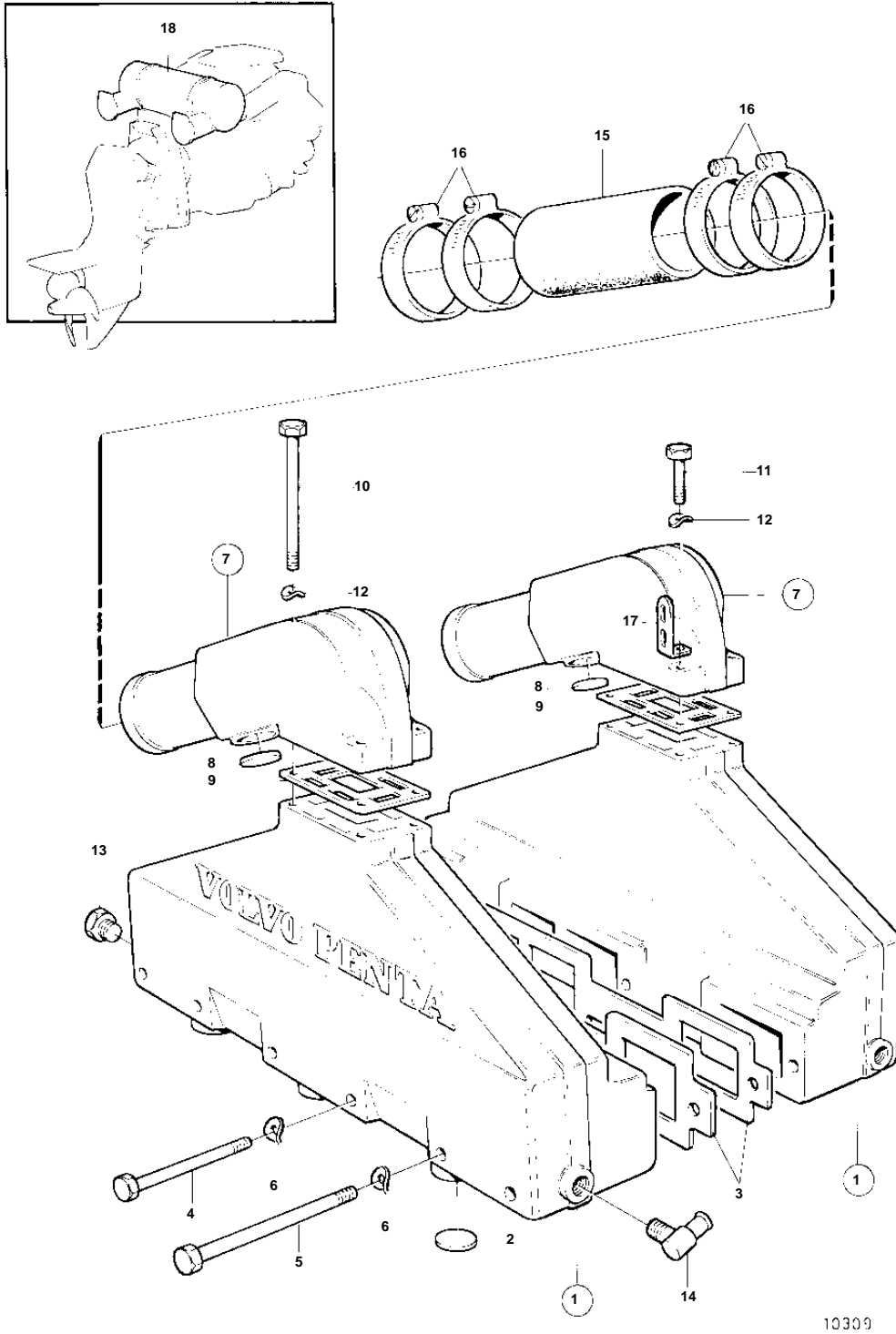


500A,501A



500A,501A

REF	PART NO.	QTY	DESCRIPTION	SEE SEC.	NOTES
1	855926	2	Exhaust pipe		
2	477024	6	· Expansion plug		
3	856034	2	Gasket	IK	SN 78795-
4	942268	8	Screw		
5	942547	4	Screw		
6	942336	12	Spring washer		
7		2	EXHAUST RISER		REPLACED BY 1EA 855384, 2EA 940136 SCREW AND 2EA 948828 SCREW.
8	477024	2	· Expansion plug		
9	856039	2	Gasket	IK	
10	192548	4	Screw		
11	940186	4	Screw		
12	941907	8	Spring washer		
13	192154	2	Plug		
14	961610	2	Hose nipple	02B-0120	
15	834751	2	Hose, HOSE		L = 2X160 MM. FOR ENGINE WITHOUT SILENCER. SEE GROUP 2A
16	853012	8	Hose clamp		SEE GROUP 2A. FOR ENGINE WITHOUT SILENCER.
17	965552	1	Bracket		
18		X	MUFFLER		SEE GROUP 9