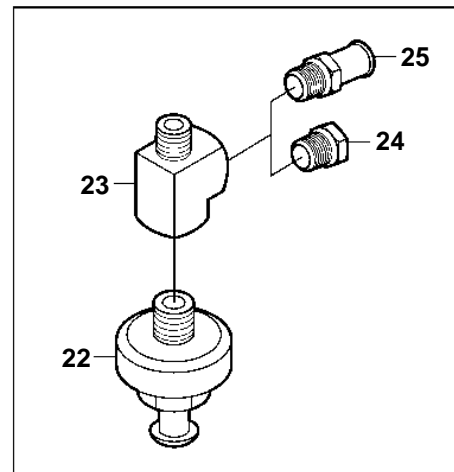
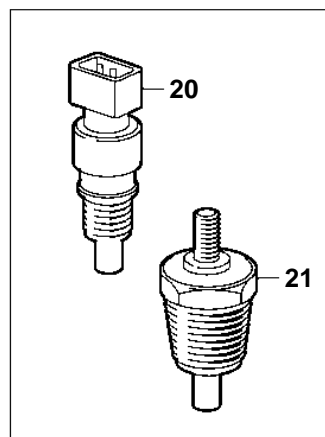
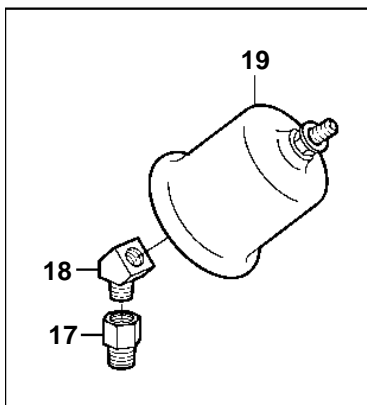
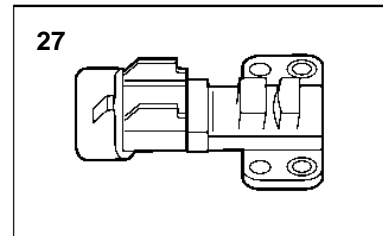
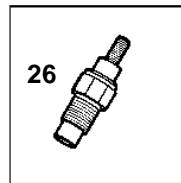
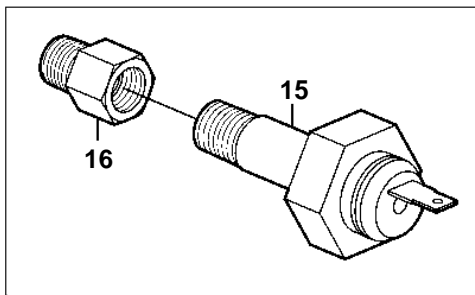
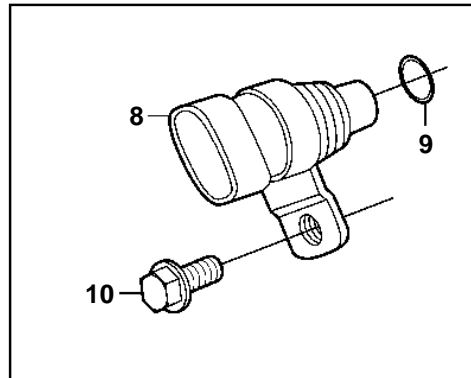
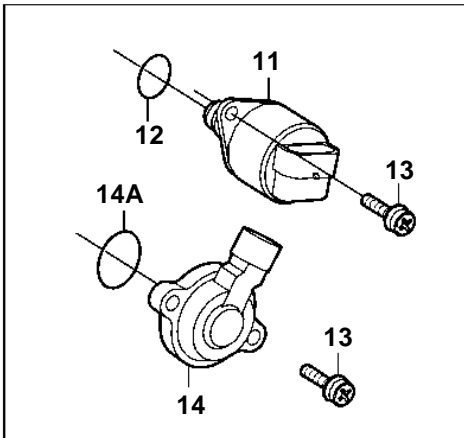
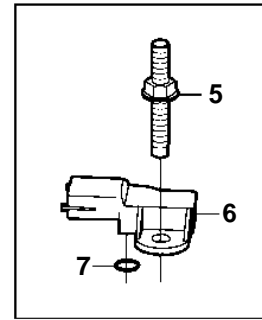
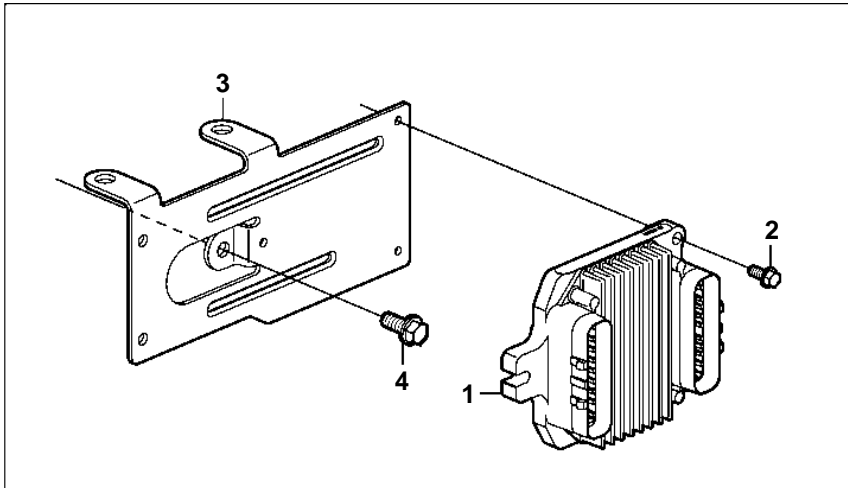


5.7GXi-C, 5.7GXi-CF, 5.7GXii-C, 5.7OSXi-A, 5.7OSXi-AF



5.7GXi-C, 5.7GXi-CF, 5.7GXii-C, 5.7OSXi-A, 5.7OSXi-AF

REF	PART NO.	QTY	DESCRIPTION	NOTES
1	3861772	1	Ecu	
2	3852053	3	Screw	
3	3857815	1	Bracket	
4	3853398	1	Screw	
5	3858973	1	Stud	
6	3858987	1	Sensor, MAT/MAP	
7	3858988	1	· Seal	
8	3858979	1	Sensor, crankshaft position	
9	3859009	1	· O-ring	
10	3858983	1	Screw	
11	3857696	1	Iac valve	
12	3858054	1	· O-ring	
13	3857693	1	Screw kit	
14	3857487	1	Sensor, throttle position	
14A		1	· O-ring	
15	3852215	1	Switch, oil pressure	
16	3855776	1	Adapter	
17	3850660	1	Fitting	
18	3852503	1	Elbow	
19	3857532	1	Sender, oil pressure	
	872064	X	Sender, oil pressure	DUAL STATION
20	3850397	1	Switch	
21	3852029	1	Sender, coolant water temp.	
	872068	X	Sender, coolant water temp.	DUAL STATION
22	3850357	1	Knock sensor, knock	
23	3850490	1	Fitting	
24	3850802	X	Plug	
25	3858501	X	Hose nipple	
26	3861997	2	Temperature sensor	
27	3863130	1	Sensor, camshaft position	