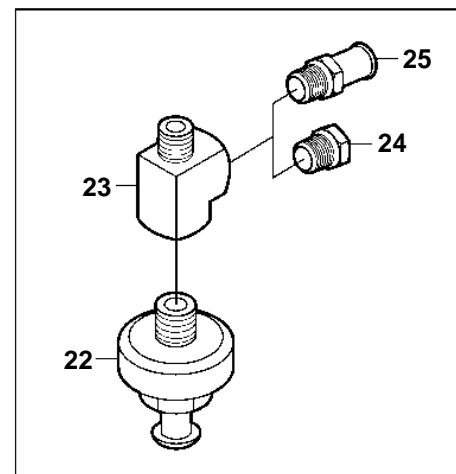
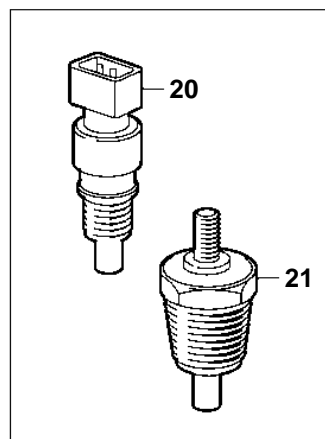
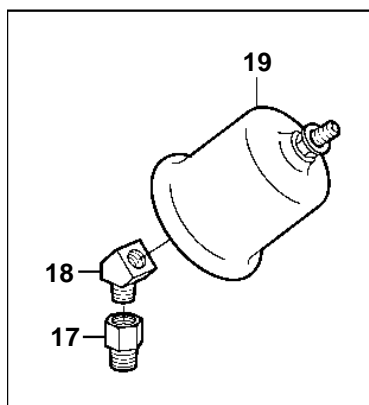
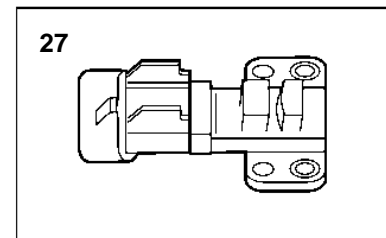
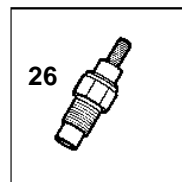
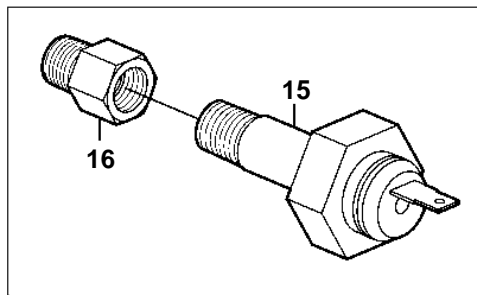
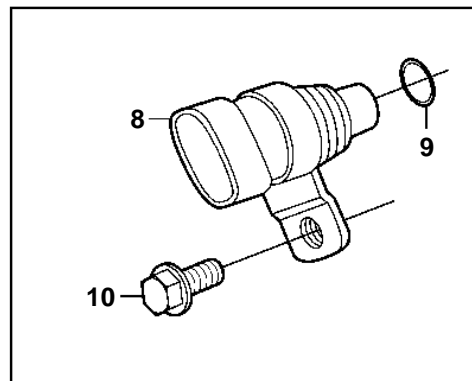
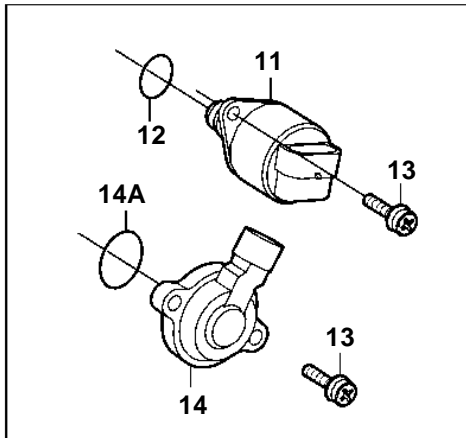
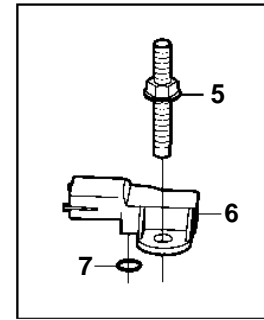
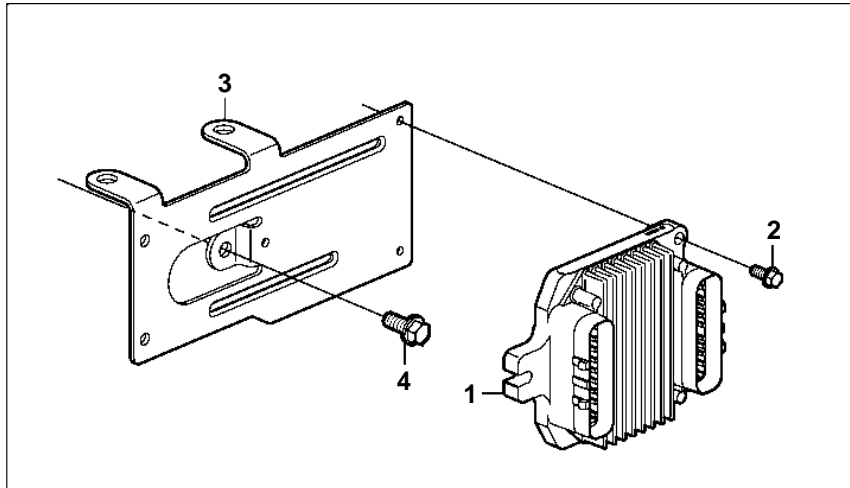


5.0GXi-B, 5.0GXi-BF, 5.0OSi-B, 5.0OSi-BF



## 5.0GXi-B, 5.0GXi-BF, 5.0OSi-B, 5.0OSi-BF

| REF | PART NO. | QTY | DESCRIPTION                 | NOTES        |
|-----|----------|-----|-----------------------------|--------------|
| 1   | 3861770  | 1   | Ecu                         |              |
| 2   | 3852053  | 3   | Screw                       |              |
| 3   | 3857815  | 1   | Bracket                     |              |
| 4   | 3853398  | 1   | Screw                       |              |
| 5   | 3858973  | 1   | Stud                        |              |
| 6   | 3858987  | 1   | Sensor, MAT/MAP             |              |
| 7   | 3858988  | 1   | · Seal                      |              |
| 8   | 3858979  | 1   | Sensor, crankshaft position |              |
| 9   | 3859009  | 1   | · O-ring                    |              |
| 10  | 3858983  | 1   | Screw                       |              |
| 11  | 3857696  | 1   | Iac valve                   |              |
| 12  | 3858054  | 1   | · O-ring                    |              |
| 13  | 3857693  | 1   | Screw kit                   |              |
| 14  | 3857487  | 1   | Sensor, throttle position   |              |
| 14A |          | 1   | · O-ring                    |              |
| 15  | 3852215  | 1   | Switch, oil pressure        |              |
| 16  | 3855776  | 1   | Adapter                     |              |
| 17  | 3850660  | 1   | Fitting                     |              |
| 18  | 3852503  | 1   | Elbow                       |              |
| 19  | 3857532  | 1   | Sender, oil pressure        |              |
|     | 872064   | X   | Sender, oil pressure        | DUAL STATION |
| 20  | 3850397  | 1   | Switch                      |              |
| 21  | 3852029  | 1   | Sender, coolant water temp. |              |
|     | 872068   | X   | Sender, coolant water temp. | DUAL STATION |
| 22  | 3850357  | 1   | Knock sensor, knock         |              |
| 23  | 3850490  | 1   | Fitting                     |              |
| 24  | 3850802  | X   | Plug                        |              |
| 25  | 3858501  | X   | Hose nipple                 |              |
| 26  | 3861997  | 2   | Temperature sensor          |              |
| 27  | 3863130  | 1   | Sensor, camshaft position   |              |