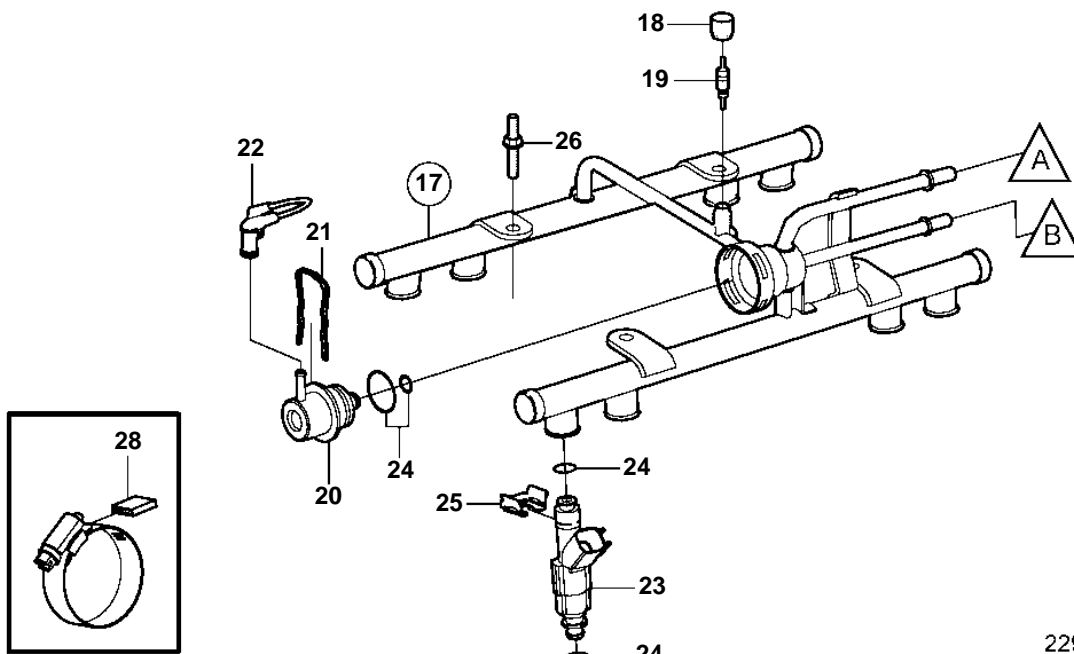
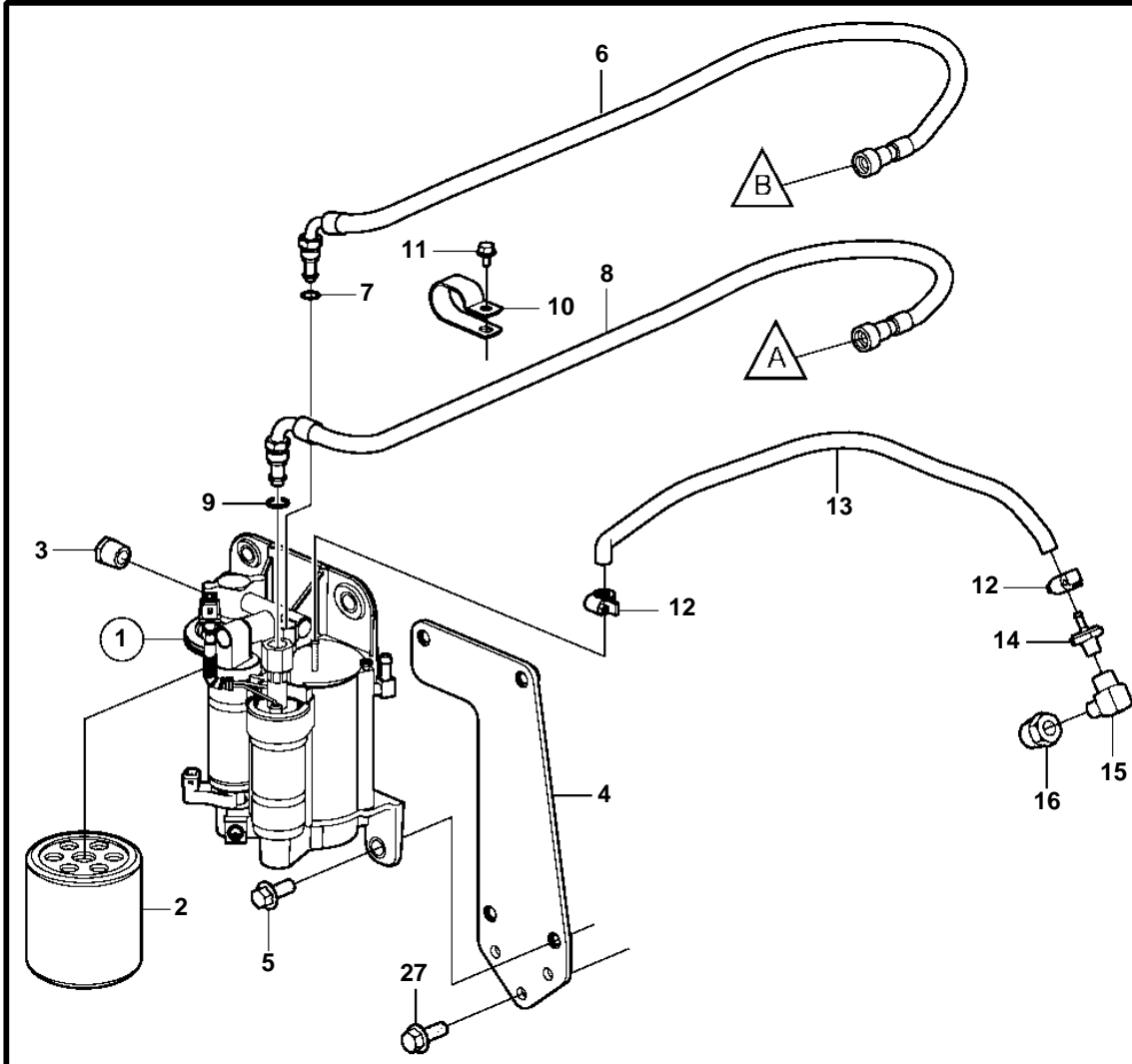


5.7GiI-B, 5.7GXil-C



22951

5.7GiI-B, 5.7GXil-C

REF	PART NO.	QTY	DESCRIPTION	NOTES
1	3861355	1	Fuel pump kit	
	3588865	1	Fuel pump kit	HIGH PRESSURE PUMP
2	3852413	1	• Fuel filter	
3	3857816	1	Bushing	
4	3861043	1	Bracket	
5	982702	4	Flange screw	
6	3861369	1	Fuel line	
7	3850423	1	• O-ring	
8	3861370	1	Fuel line	
9	3850424	1	• O-ring	
10	3860412	2	Clamp	
11	945358	1	Flange screw	
12	3860413	2	Clamp	
13	3860284	1	Hose	
14	3860290	1	Impulse limiter	
15	16218	1	Elbow nipple	
16	3861926	1	Fitting	
17	3858966	1	Fuel pipe	
18	3858972	1	Cap	
19	3858971	1	Fuel valve	
20	3858967	1	Fuel press regulator	
21	3858968	1	Clip	
22	3858974	1	Hose	
23	3858969	8	Injector	
24	3858981	X	O-ring	Includes 16 o-rings for injectors and 2 o-rings for pressure regulator.
25	3858970	8	Retainer	
26	3858973	4	Stud	
27	3853399	3	Screw	
28	3858532	X	Cover	W=0.465" (11.8mm)
	3861999	X	Cover	W=0.300" (7.6mm)