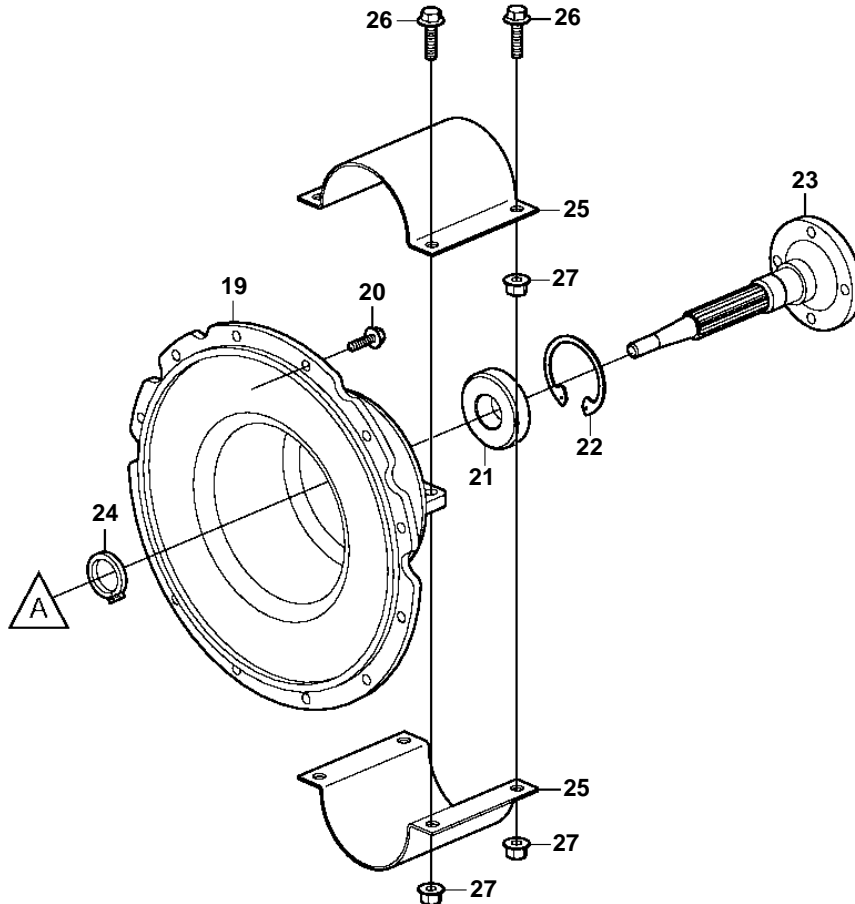
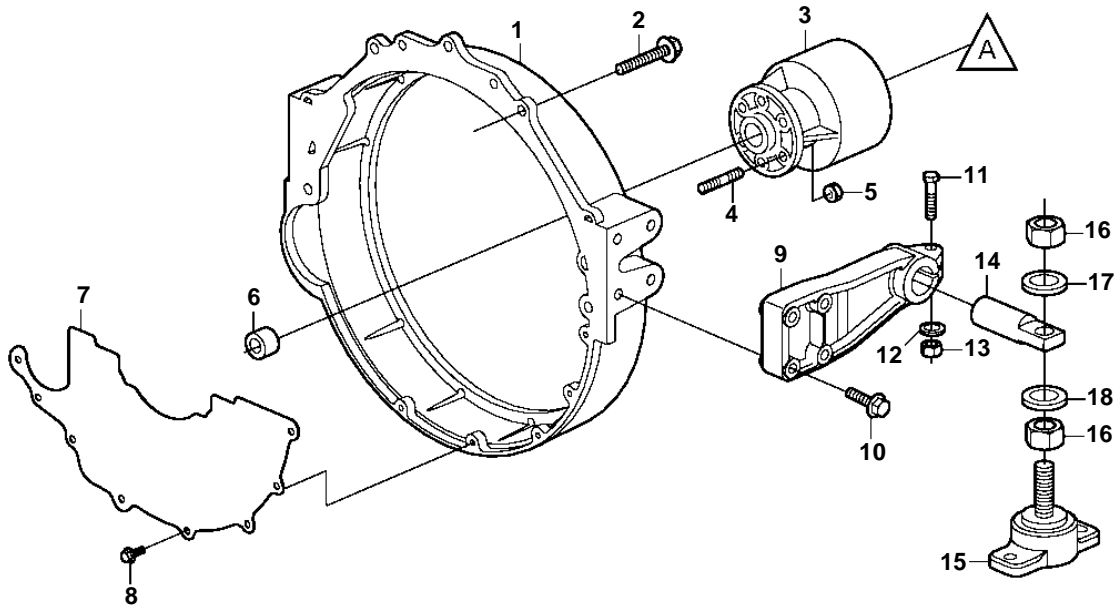


5.0GXi-B, 5.0GXi-BF, 5.0OSi-B, 5.0OSi-BF, 5.7Gi-B, 5.7Gi-BF, 5.7GiI-B, 5.7GXi-C, 5.7GXi-CF, 5.7GXii-C, 5.7OSi-A, 5.7OSi-AF, 5.7OSXi-A, 5.7OSXi-AF



18665

5.0GXi-B, 5.0GXi-BF, 5.0OSi-B, 5.0OSi-BF, 5.7Gi-B, 5.7Gi-BF, 5.7Giil-B, 5.7GXi-C, 5.7GXi-CF, 5.7GXii-C, 5.7OSi-A, 5.7OSi-AF, 5.7OSXi-A, 5.7OSXi-AF

REF	PART NO.	QTY	DESCRIPTION
1	3851722	1	Flywheel housing
2	955542	6	Screw
3	3858437	1	Rubber coupling
4	3853274	6	Stud
5	3853273	6	Lock nut
6	3860697	1	Bushing
7	3852833	1	Cover plate
8	3852421	6	Screw
9	3851758	2	Bracket
10	965187	8	Screw
11	955551	2	Screw
12	941909	2	Spring washer
13	950355	2	Nut
14	841247	2	Pin
15	857251	2	Rubber cushion
16	955860	4	· Nut
17	955902	2	Washer
18	941914	2	Spring washer
19	3851727	1	Bearing housing
20	946752	11	Flange screw
21	181877	1	Ball bearing
22	914540	1	Lock ring
23	3851724	1	Flange
24	914465	1	Lock ring
25	3851729	2	Cover
26	965192	4	Flange screw
27	971099	6	Flange lock nut