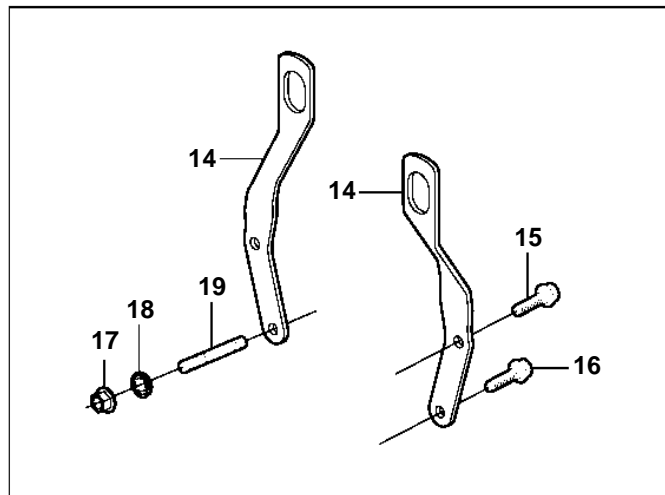
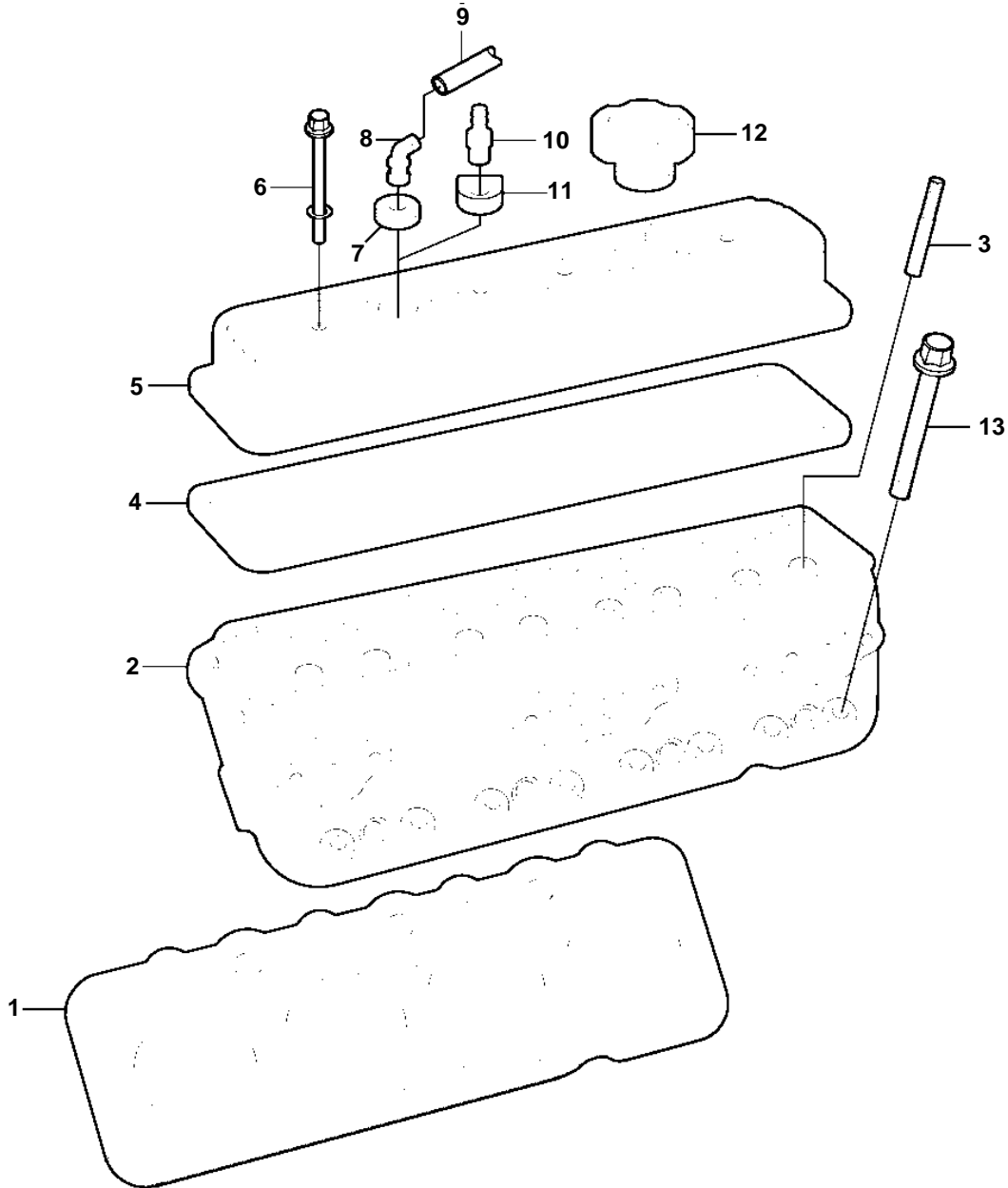


5.7Gi-B, 5.7Gi-BF, 5.7GiL-B, 5.7GXi-C, 5.7GXi-CF, 5.7GXil-C, 5.7OSi-A, 5.7OSi-AF, 5.7OSXi-A, 5.7OSXi-AF



18614

5.7Gi-B, 5.7Gi-BF, 5.7Gi-B, 5.7GXi-C, 5.7GXi-CF, 5.7GXil-C, 5.7OSi-A, 5.7OSi-AF, 5.7OSXi-A, 5.7OSXi-AF

| REF | PART NO. | QTY | DESCRIPTION | NOTES |
|-----|----------|-----|----------------|-----------------------|
| 1 | 3853380 | 2 | Gasket | |
| 2 | 3856929 | 2 | Cylinder head | |
| 3 | | 16 | • Stud | |
| | 3853146 | X | Stud | O.S=.003" (0.076mm) |
| | 3853147 | X | Stud | O.S=.013" (0.330mm) |
| 4 | 3852687 | 2 | Gasket | |
| 5 | 3856928 | 1 | Valve cover | STARBOARD |
| | 3862264 | 1 | Valve cover | PORT |
| 6 | 3856135 | 8 | Screw | |
| 7 | 3852103 | 1 | Grommet | |
| 8 | 3852104 | 1 | Elbow | |
| 9 | 3852435 | 1 | Hose | |
| 10 | 3861989 | 1 | Valve | CRANKCASE VENTILATION |
| 11 | 3862296 | 1 | Grommet | |
| 12 | 3854008 | 1 | Oil filler cap | |
| 13 | 3856122 | 14 | Screw | L=1.62" (41mm) |
| | 3856123 | 4 | Screw | L=3 1/16" (78mm) |
| | 3856124 | 16 | Screw | L=3 51/64" (96mm) |
| 14 | 3860406 | 2 | Bracket | |
| 15 | 3853266 | 1 | Screw | |
| 16 | 3853557 | 1 | Screw | |
| 17 | 3853404 | 2 | Lock nut | |
| 18 | 3860538 | 2 | Nut, speed | |
| 19 | 3860477 | 2 | Stud | |