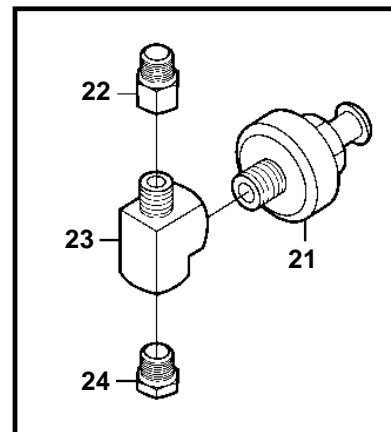
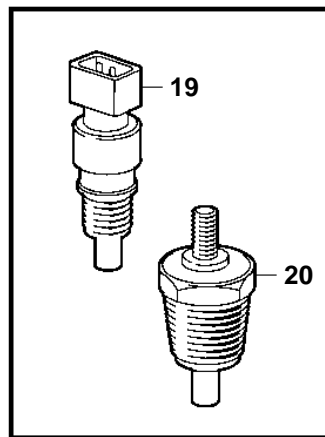
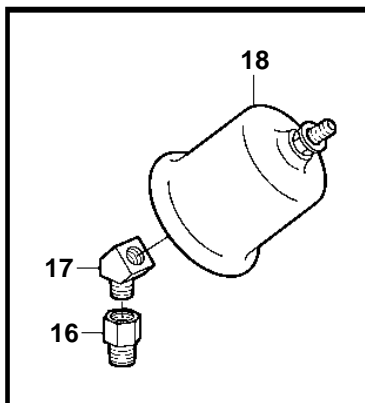
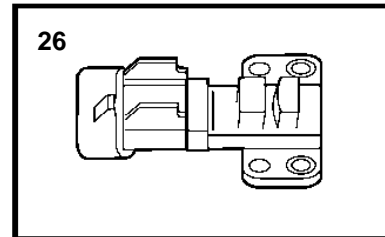
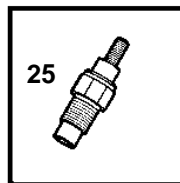
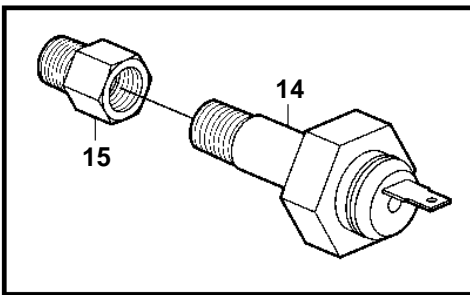
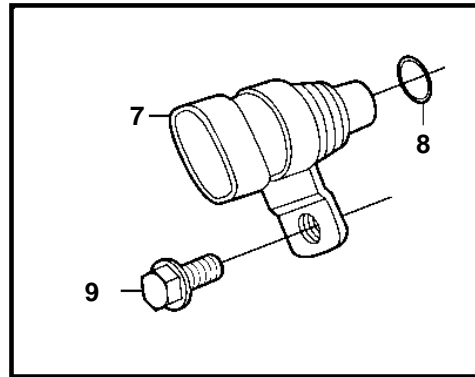
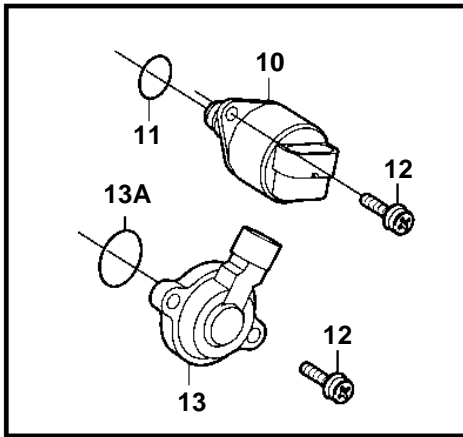
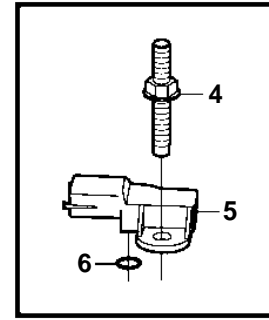
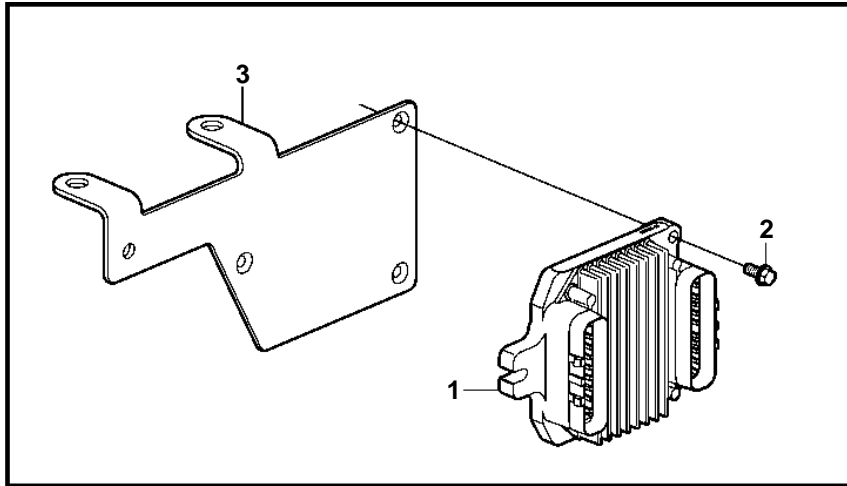


5.0GXi-E, 5.0GXi-EF, 5.0OSi-E, 5.0OSi-EF



5.0GXi-E, 5.0GXi-EF, 5.0OSi-E, 5.0OSi-EF

REF	PART NO.	QTY	DESCRIPTION	NOTES
1	3863330	1	Ecu	
2	3856742	3	Screw	
3		1	Bracket	
4	3858973	1	Stud	
5	3858987	1	Sensor, MAT/MAP	
6	3858988	1	· Seal	
7	3858979	1	Sensor, crankshaft position	
8	3859009	1	· O-ring	
9	3858983	1	Screw	
10	3857696	1	lac valve	
11	3858054	1	· O-ring	
12	3857693	1	Screw kit	
13	3857487	1	Sensor, throttle position	
13A		1	· O-ring	
14	3852215	1	Switch, oil pressure	
15	3855776	1	Adapter	
16	3850660	1	Fitting	
17	3852503	1	Elbow	
18	3857532	1	Sender, oil pressure	
	872064	X	Sender, oil pressure	DUAL STATION
19	3850397	1	Switch	
20	3852029	1	Sender, coolant water temp.	
	872068	X	Sender, coolant water temp.	DUAL STATION
21	3850357	2	Knock sensor, knock	
22	3862196	1	Fitting	P
23	3850490	2	Fitting	
24	3850802	2	Plug	
25	3862500	2	Temperature sensor	
26	3863130	1	Sensor, camshaft position	