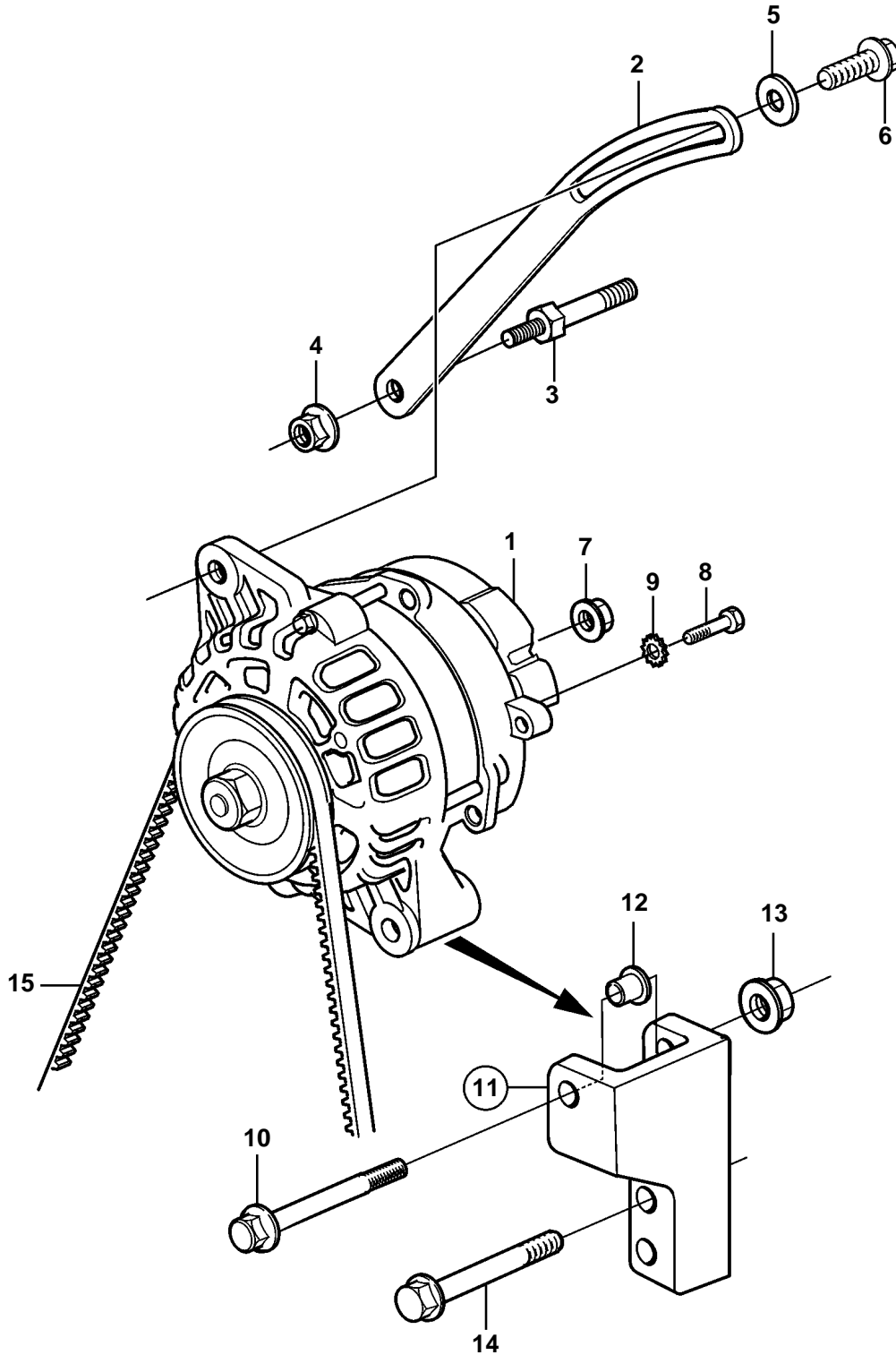


5.0GL-F, 5.0GL-FF



5.0GL-F, 5.0GL-FF

REF	PART NO.	QTY	DESCRIPTION
1	3862612	1	Alternator
2	3855600	1	Brace
3	3856147	1	Stud
4	3853403	1	Nut
5	3852054	1	Washer
6	3857146	1	Screw
7	945408	1	Flange nut
8	3852208	1	Screw
9	3852520	1	Washer
10	3853367	1	Screw
11	3861465	1	Bracket
12	3854579	2	· Bushing
13	3857181	1	Flange lock nut
14	3853547	2	Screw
15	978547	1	V-belt