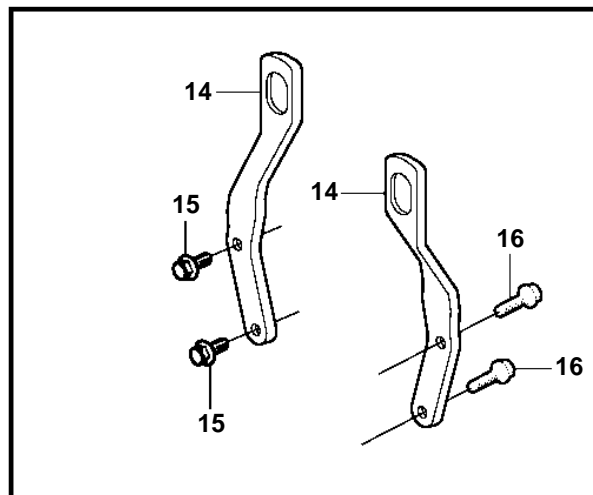
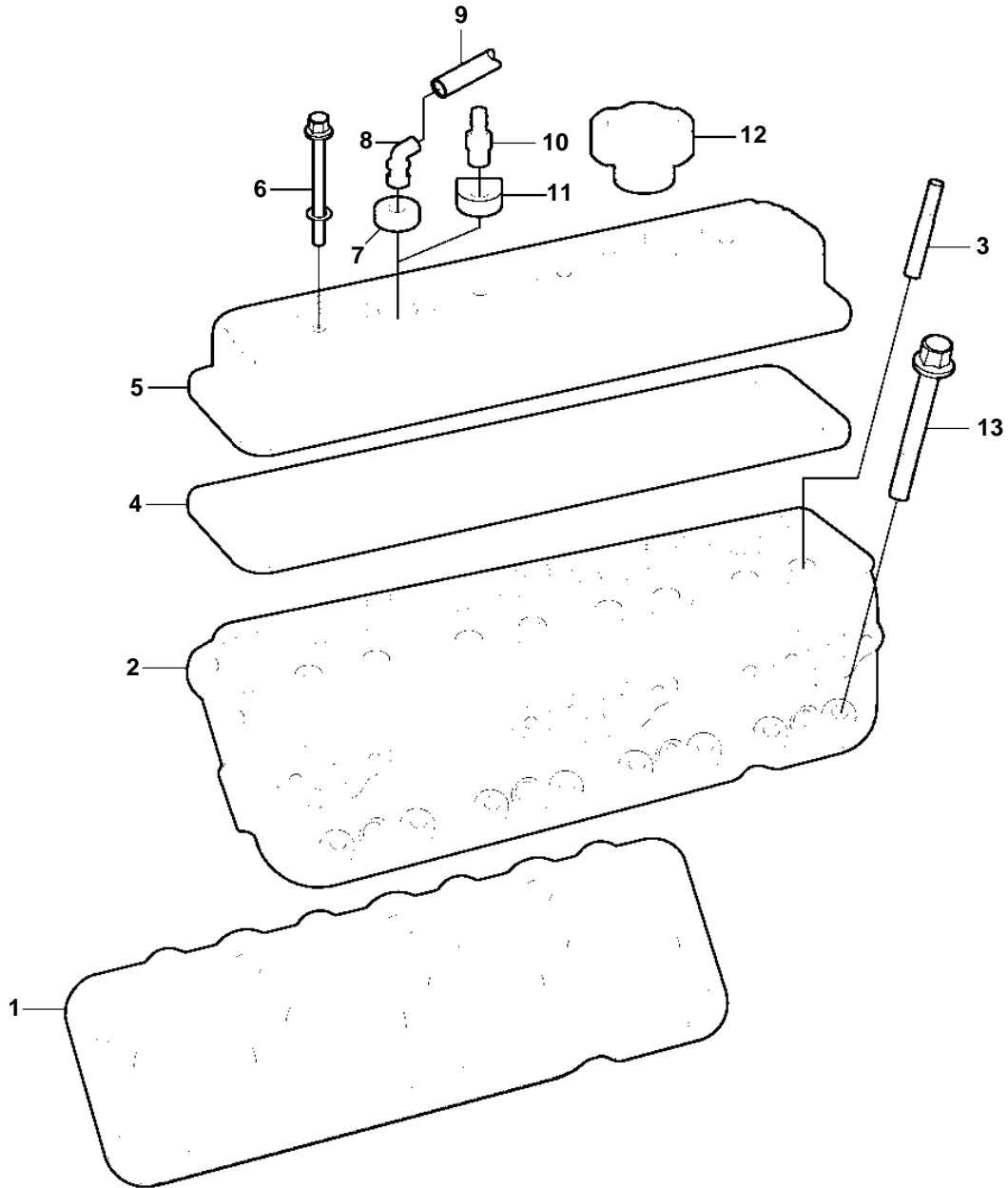


5.7GL-C, 5.7GL-D



20224

5.7GL-C, 5.7GL-D

| REF | PART NO. | QTY | DESCRIPTION    | NOTES                 |
|-----|----------|-----|----------------|-----------------------|
| 1   | 3853380  | 2   | Gasket         |                       |
| 2   | 3856929  | 2   | Cylinder head  |                       |
| 3   |          | 16  | • Stud         |                       |
|     | 3853146  | X   | Stud           | O.S=.003" (0.076mm)   |
|     | 3853147  | X   | Stud           | O.S=.013" (0.330mm)   |
| 4   | 3852687  | 2   | Gasket         |                       |
| 5   | 3856928  | 1   | Valve cover    | S.B                   |
|     | 3856927  | 1   | Valve cover    | P                     |
| 6   | 3856135  | 8   | Screw          |                       |
| 7   | 3852103  | 2   | Grommet        |                       |
| 8   | 3852104  | 1   | Elbow          |                       |
| 9   | 3852435  | 1   | Hose           |                       |
| 10  | 3856215  | 1   | Valve          | CRANKCASE VENTILATION |
| 11  | 3862296  | 1   | Grommet        |                       |
| 12  | 3854008  | 1   | Oil filler cap |                       |
| 13  | 3856122  | 14  | Screw          | L=1.62" (41mm)        |
|     | 3856123  | 4   | Screw          | L=3 1/16" (78mm)      |
|     | 3856124  | 16  | Screw          | L=3 51/64" (96mm)     |
| 14  | 3862594  | 2   | Bracket        |                       |
| 15  | 3853326  | 2   | Screw          |                       |
| 16  | 3853557  | 2   | Screw          |                       |