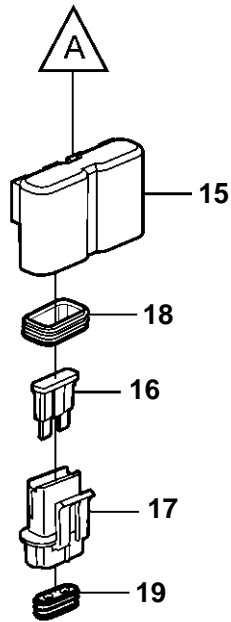
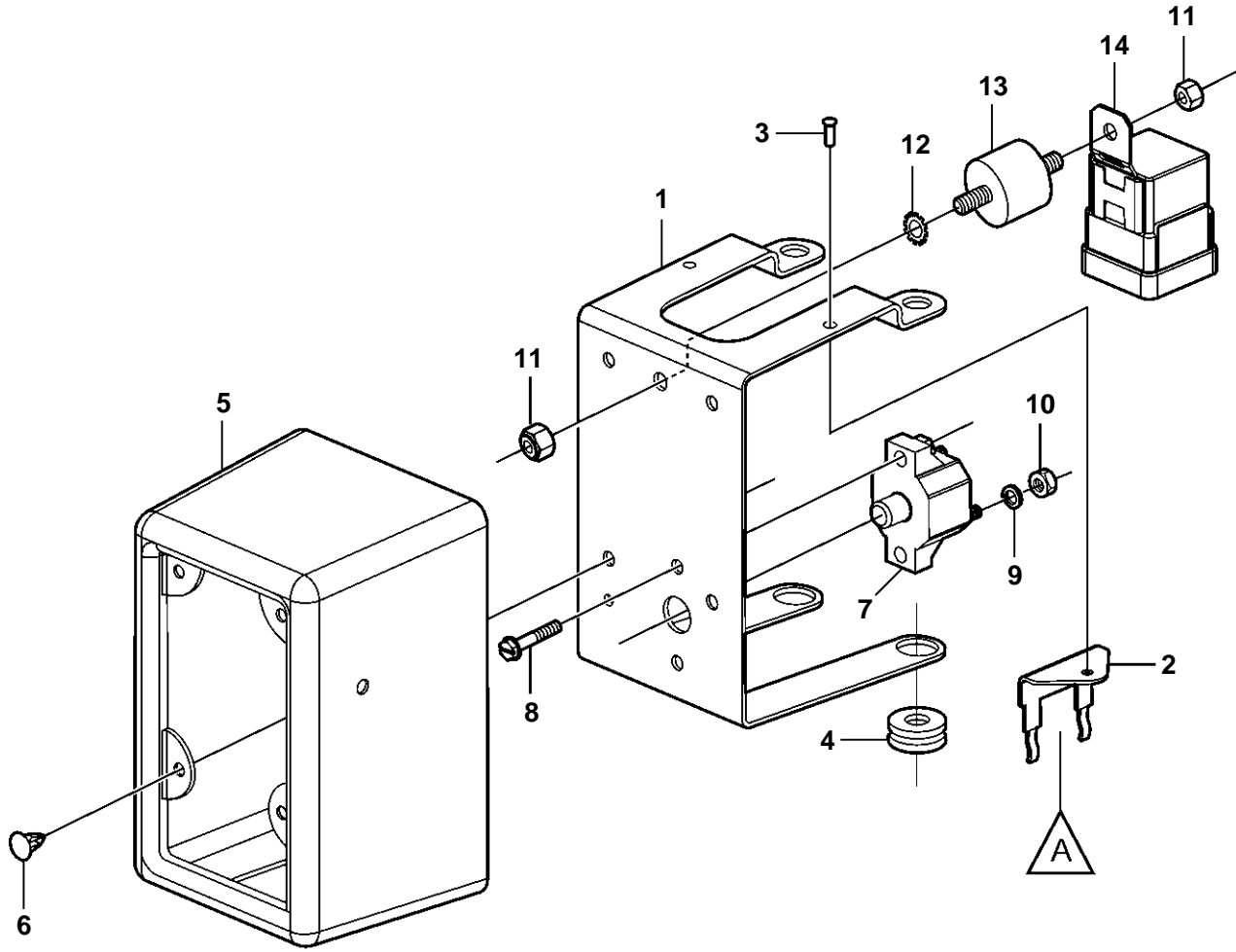


5.0GL-A, 5.0GL-B, 5.0GL-C, 5.0GL-D, 5.7GL-A, 5.7GL-B, 5.7GL-C, 5.7GL-D



5.0GL-A, 5.0GL-B, 5.0GL-C, 5.0GL-D, 5.7GL-A, 5.7GL-B, 5.7GL-C, 5.7GL-D

REF	PART NO.	QTY	DESCRIPTION	NOTES
1	3860368	1	Bracket	
2	3860486	2	Bracket	
3		2	Rivet	
4	941263	2	Grommet	
5	3860369	1	Cover	
6	3860524	4	Locking pin	
7	3854164	1	Breaker	
8	3853620	2	Screw	
9	3852001	2	Lock washer	
10	3852064	2	Nut	
11	3852118	2	Nut	
12	3852182	1	Lock washer	
13	3850234	1	Isolator	
14	3854138	1	Relay	Included in engine harness
15	3860455	2	Fuse holder	Included in engine harness
16	979686	2	Fuse	40A. Included in engine harness
	969197	2	Fuse	7.5A. Included in engine harness
17	8166029	4	Connector	Included in engine harness
18		4	· Seal	
19		4	· Seal	