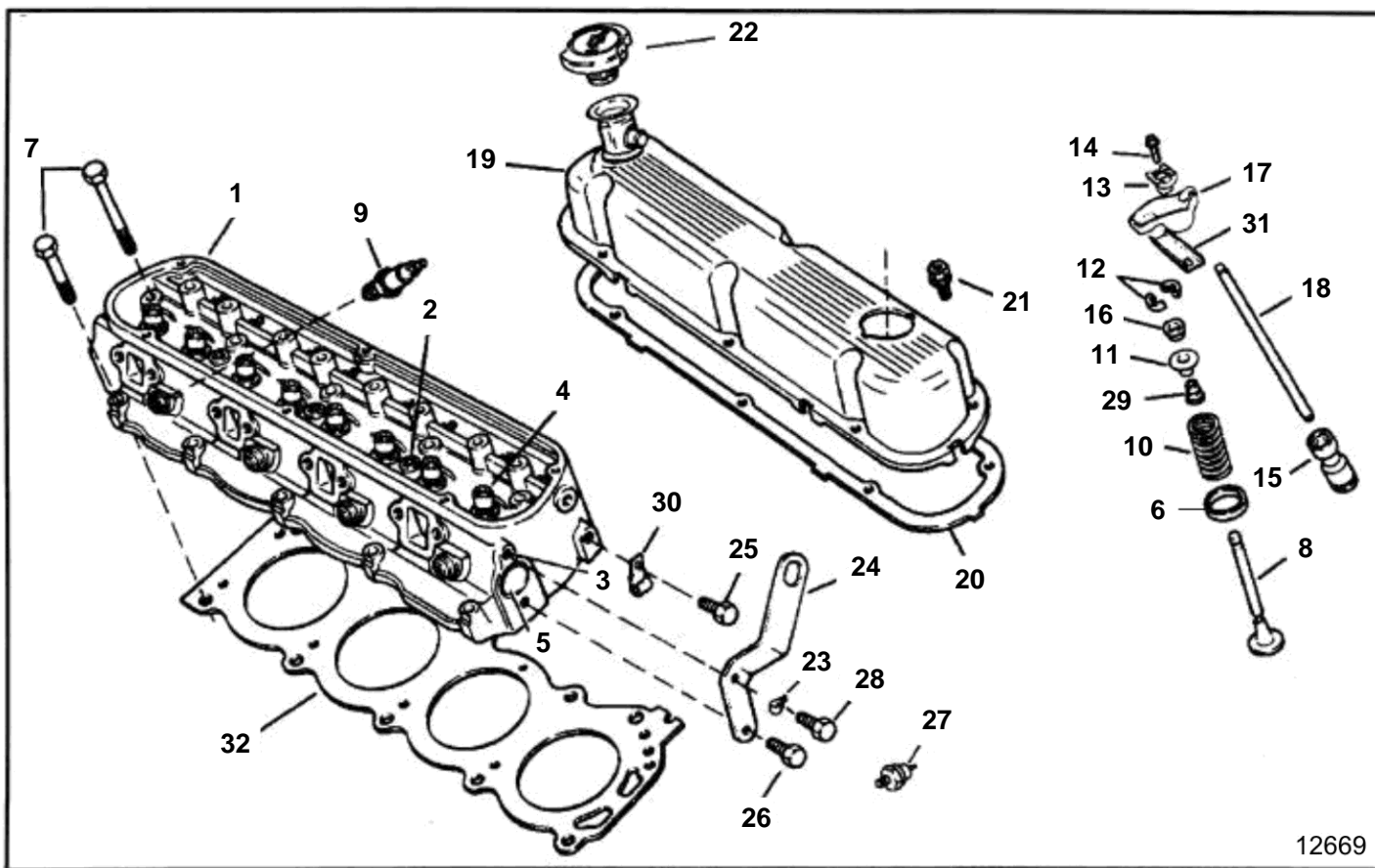


5.8FIPNCACE, 5.8FIPNCBCE, 5.8FIPNCMCE, 5.8FIPNCSCE, 5.8FSIINCC, 5.8FSIINCS, 5.8FSIPNCACE, 5.8FSIPNCD, 5.8FSIPNCS



12669

5.8FIPNCACE, 5.8FIPNCBCE, 5.8FIPNCMCE, 5.8FIPNCSCE, 5.8FSIINCC, 5.8FSIINCS, 5.8FSIPNCACE, 5.8FSIPNCD, 5.8FSIPNCS

REF	PART NO.	QTY	DESCRIPTION	NOTES
1	3854214	2	Cylinder head	
2	3853015	3	· Cap plug, Core hole	
3	3853016	2	· Insert, Thermactor hole	
4	3853017	8	· Bushing, Valve guide	
5		2	· Cap plug, Core hole	
6	3853776	8	· Insert, Exhaust valve seat	
7	3852769	10	Bolt, Cylinder head, 4 in	
	3852770	10	Bolt, Cylinder head, short	
8		8	Valve, Intake, standard	
	3853731	8	Valve, Exhaust, standard	
9	3851868	2	Spark plug kit	
10	3853777	8	Spring, Exhaust	
	3853778	8	Spring, Intake	
11	3852811	8	Retainer, Valve spring, exhaust	
		8	Retainer, Valve spring, intake	
12	3852672	32	Valve cotter, Valve spring retainer	
13	3852671	16	Spring seat, Rocker arm	
14		16	Bolt, Rocker arm	
15	3853847	16	Tappet	
16	3852813	8	Sleeve, Valve, spring retainer, intake	
17	3852815	16	Arm	
18		16	Push rod, Standard	
19	3853907	1	Valve cover, port	
	3854236	1	Valve cover, starboard	
20		2	Gasket, Valve cover	
21	3853037	12	Screw, Valve cover	
22	3852707	1	Oil filler cap	
23	3852837	1	Clamp, Engine cable assy & knock module	To rear lifting eye mtg screw
24		1	Bracket, Lift, front	
	3853631	1	Bracket, Lift, rear	
25	3853419	1	Screw, Clamp, eng cable to cyl head, front	
26	3853557	2	Screw	
27	3853956	1	Sensor	
28	3853154	2	Screw, Lift bracket to upper cyl head	
29	3852670	8	Valve stem seal, Valve stem, intake, standard	
	3853771	8	Sealing, Exhaust	
30	3852434	2	Clamp, Engine cable, front	
31	3852819	8	Guide, Rocker arm fulcrum	
32	3853732	2	Cylinder head gasket	