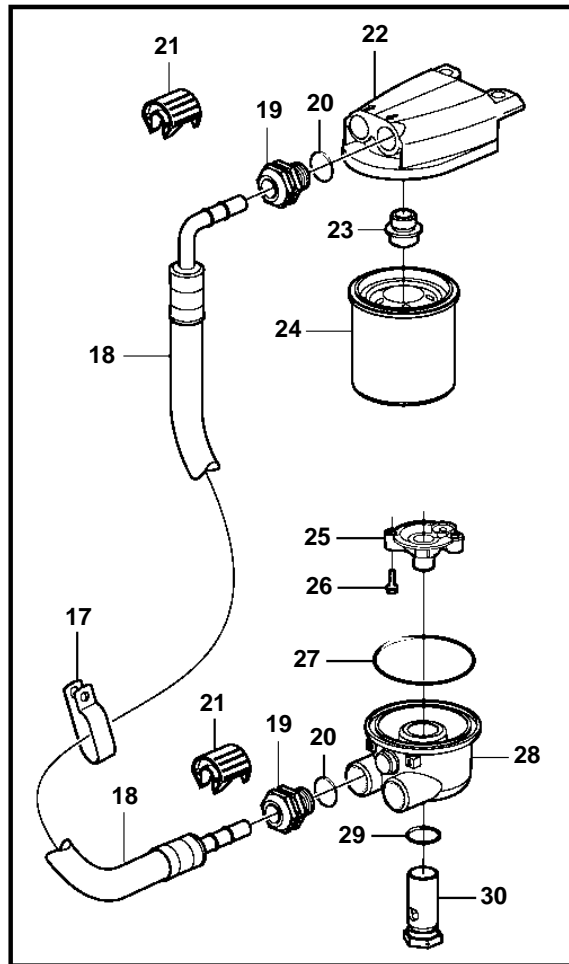
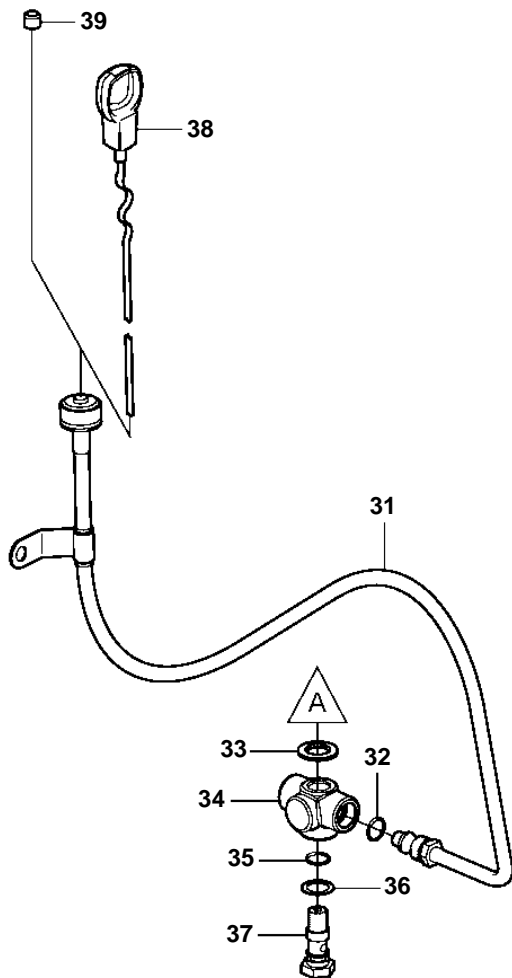
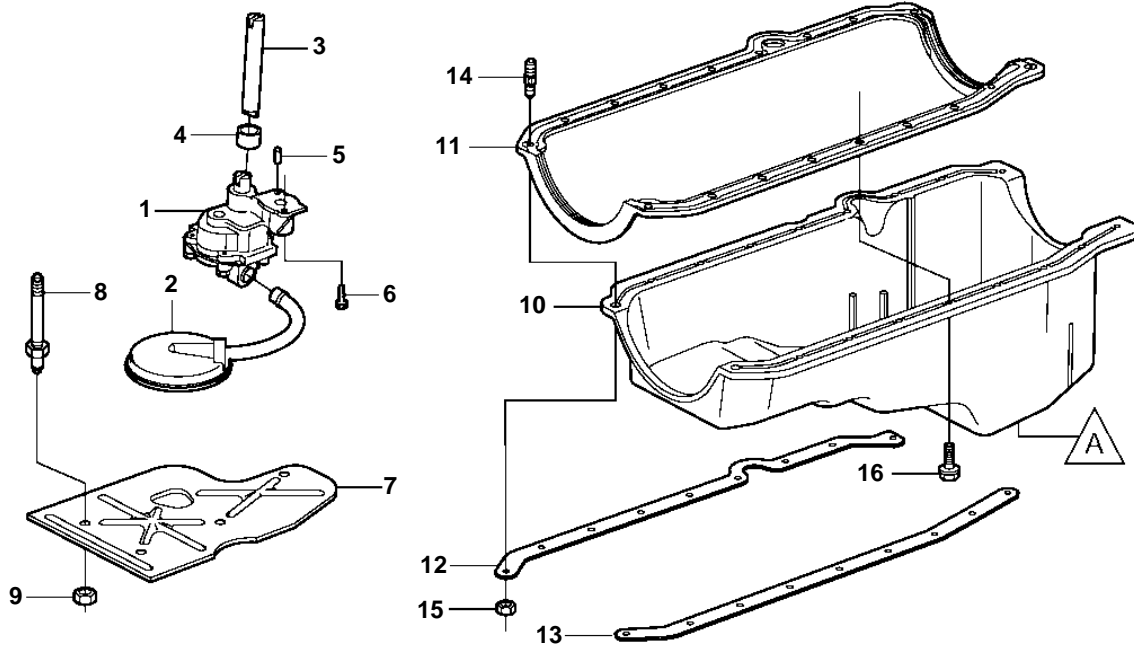


5.7GiI-G, 5.7GXil-H



5.7Giil-G, 5.7GXil-H

REF	PART NO.	QTY	DESCRIPTION	SEE SEC.	NOTES
1	3856125	1	Oil pump		
2	3856126	1	Strainer		
3	3853198	1	Shaft		
4	3853199	1	Retainer		
5	3855972	2	Pin		
6	3853234	1	Bolt		
7	3852744	1	Baffle		
8	3862354	6	Stud		
9	3857664	5	Nut		
10	3857778	1	Sump		
11	3856138	1	Gasket kit		
12	3856121	1	Reinforcement		Starboard
13	3856120	1	Reinforcement		Port
14	3853202	4	Stud		
15	3856930	4	Nut		
16	3852595	14	Bolt		
17	3860075	1	Clamp		
18	3886067	2	Oil line		
19	3886181	4	Fitting screw		
20		4	· O-ring		
21		4	Clip		
22	3886045	1	Adapter		
23	3852015	1	· Connector		
24	835440	1	Oil filter		
			· Bulletin P-21-7-1	P-21-7-1-EN	Oil Filters, GM gas engines
25	3852219	1	Valve		
26	3852133	2	Screw		
27	3852470	1	O-ring		
28	3886019	1	Adapter		
29	3852089	1	O-ring		
30	3853495	1	Retainer		
31	3863447	1	Tube		Starboard
	3841322	1	Tube		Port
32	3852033	2	O-ring		
33	3851981	1	Washer		
34	3587786	1	Fitting		
35	3853674	1	O-ring		
36	3852007	1	Washer		
37	888958	1	Retainer		
38	3862844	1	Gauge		
39	3858536	1	Cardboard tube		