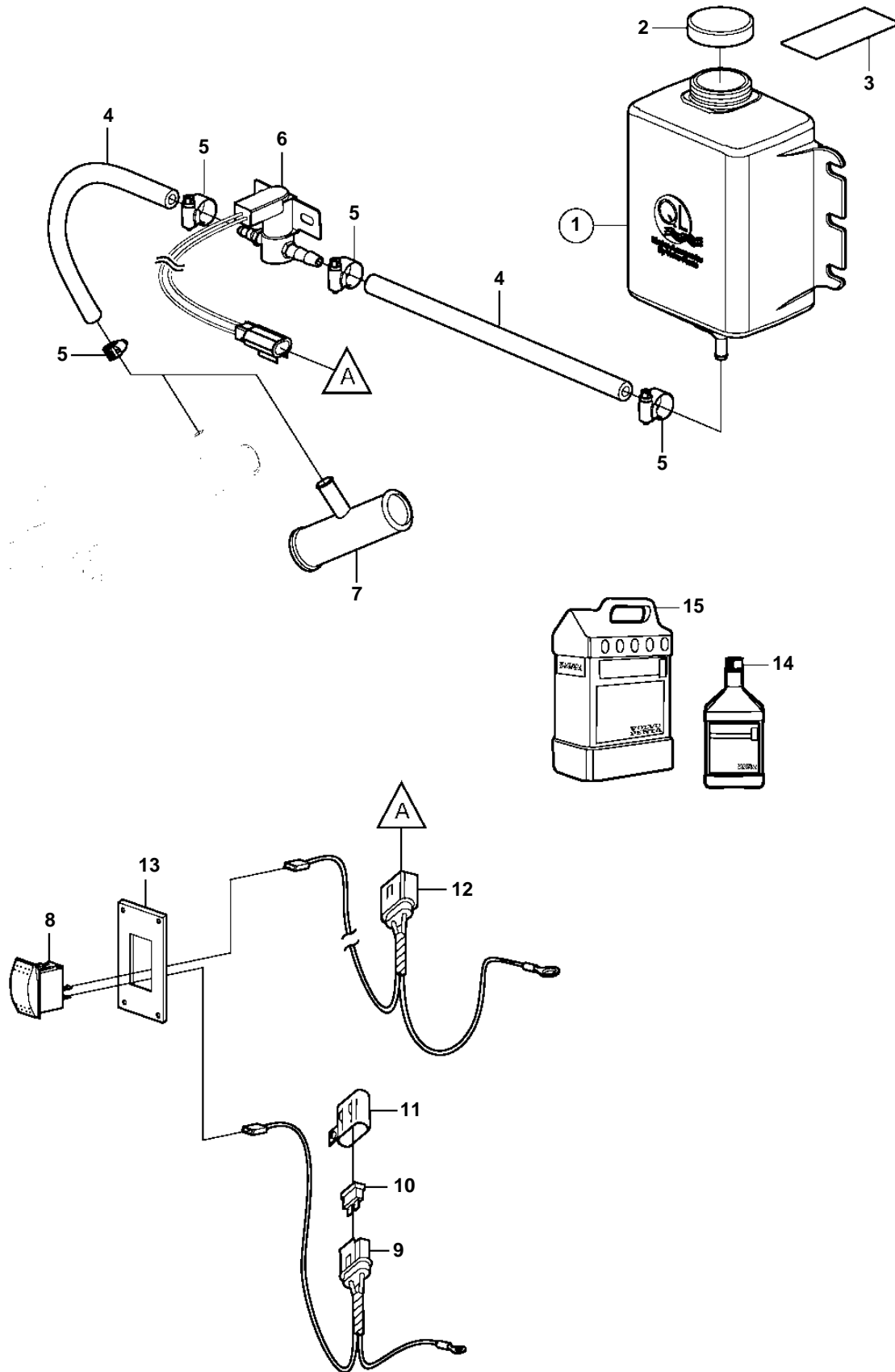


5.7GiI-G, 5.7GXil-H



23330

5.7Giil-G, 5.7GXil-H

| REF | PART NO. | QTY | DESCRIPTION | NOTES |
|-----|----------|-----|--------------------|---------------------|
| 1 | 3808877 | 1 | Reservoir | |
| 2 | | 1 | • Cap | not sold separately |
| 3 | 7741899 | 1 | Decal | |
| 4 | 3587529 | 1 | Hose | Cut |
| 5 | 3860413 | 4 | Hose clamp | |
| 6 | 3808911 | 1 | Solenoid valve | |
| 7 | 3589414 | 1 | T-nipple | 1" |
| | 3589415 | 1 | T-nipple | 1.25" |
| 8 | 3862491 | 1 | Switch | |
| 9 | 3862489 | 1 | Wiring harness | |
| 10 | 983966 | 1 | • Fuse | |
| 11 | 8072808 | 1 | • Cover | |
| 12 | 3862490 | 1 | Wiring harness | |
| 13 | 3862899 | 1 | Switch plate | Black |
| | 3862898 | 1 | Switch plate | White |
| | 3862900 | 1 | Switch plate | Woodgrain |
| 14 | 41103103 | 1 | Neutralizing agent | 1 Quart (946ml) |
| 15 | 41103102 | 1 | Neutralizing agent | 1 Gallon (3,78L) |