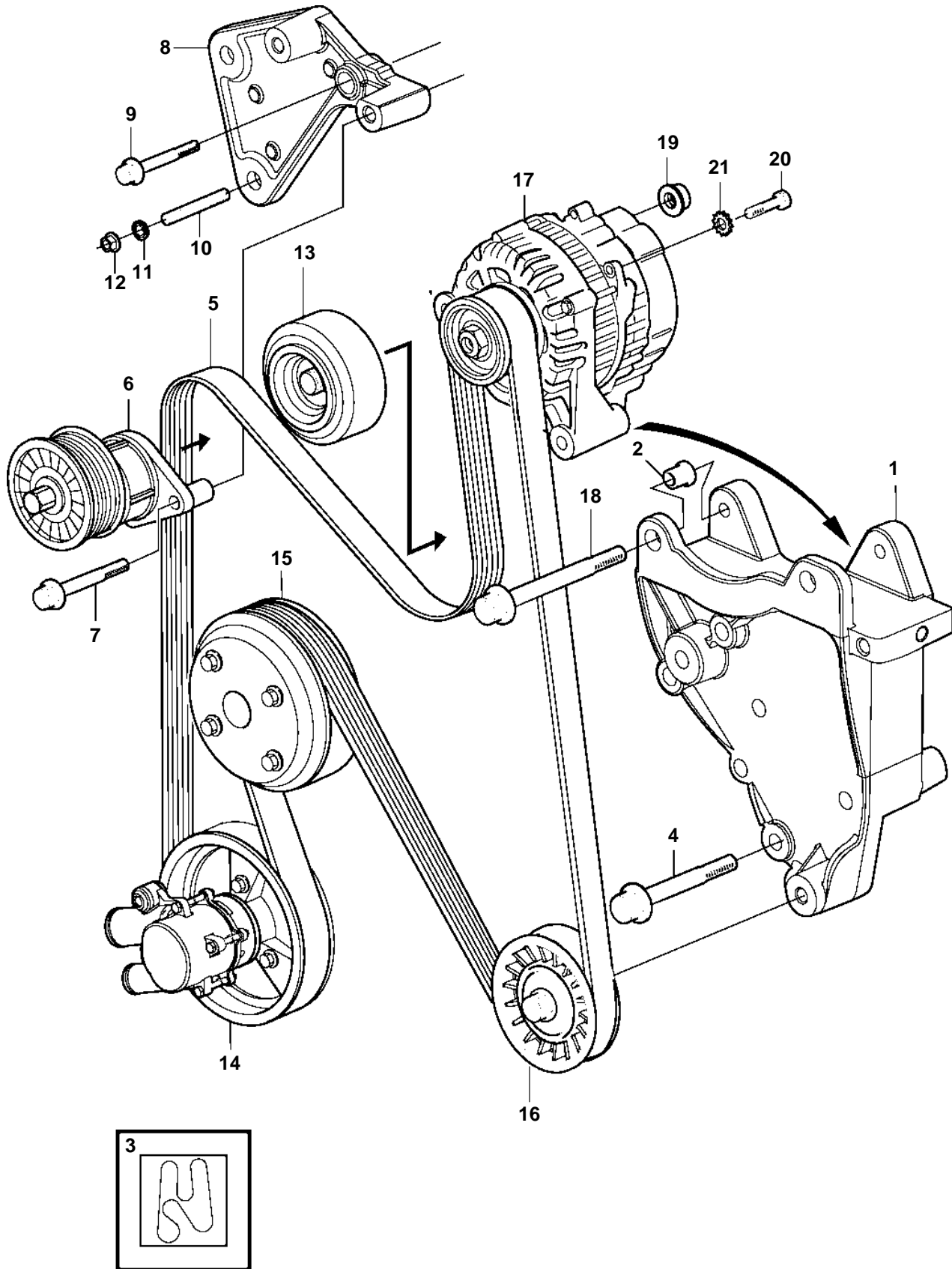


5.7GiI-F, 5.7GXil-G



5.7Giil-F, 5.7GXil-G

REF	PART NO.	QTY	DESCRIPTION
1	3819031	1	Bracket
2	3863175	2	· Bushing
3	3863274	1	Decal
4	3860281	3	Screw
5	3817291	1	Drive belt
6	3587858	1	Belt tensioner
7	3841928	2	Flange screw
8	3817292	1	Bracket
9	3841928	1	Flange screw
10	3860286	2	Stud
11	3860538	2	Nut, speed
12	3853404	2	Lock nut
13	3861009	1	Pulley
14		1	Pumpsea water
15		1	Pulleycirculation pump
16	3860201	1	Pulley
17	3862665	1	Alternator
18	947790	2	Flange screw
19	945408	1	Flange nut
20	3852208	1	Screw
21	3852520	1	Washer