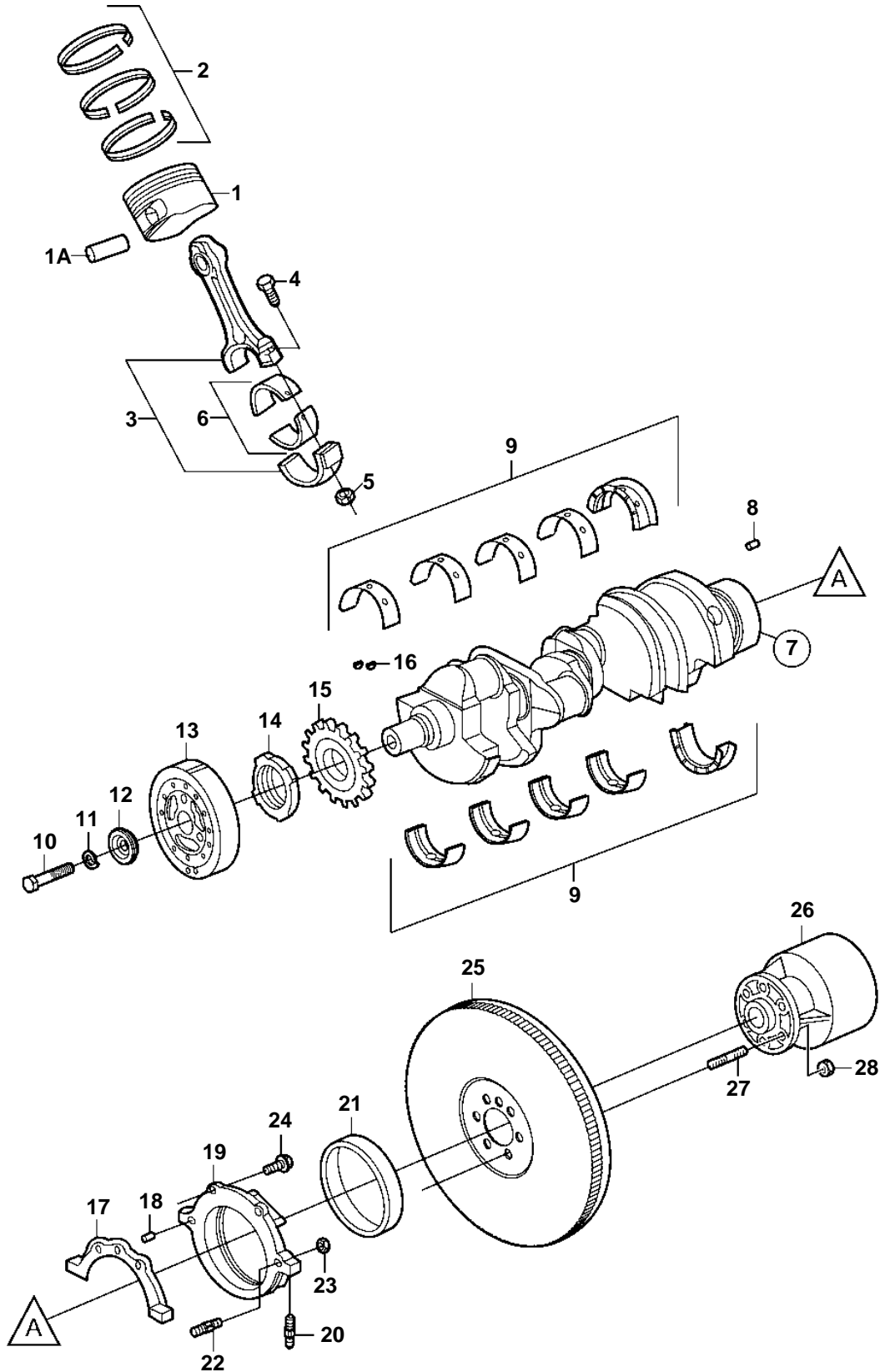


5.7GiCE-300-J, 5.7GiCE-300-JF, 5.7GXiCE-J, 5.7GXiCE-JF, 5.7GiCE-300-M, 5.7GiCE-300-MF, 5.7GXiCE-M, 5.7GXiCE-MF



5.7GiCE-300-J, 5.7GiCE-300-JF, 5.7GXiCE-J, 5.7GXiCE-JF, 5.7GiCE-300-M, 5.7GiCE-300-MF, 5.7GXiCE-M, 5.7GXiCE-MF

| REF | PART NO. | QTY | DESCRIPTION      | NOTES               |
|-----|----------|-----|------------------|---------------------|
| 1   | 3855742  | 8   | Piston           | Standard            |
|     | 3855743  | X   | Piston           | O.S=0.50mm          |
| 1A  |          | 8   | · Pin            | not sold separately |
| 2   | 3855740  | 8   | Piston ring      | Standard            |
|     | 3855741  | X   | Piston ring      | O.S=0.50mm          |
| 3   | 3853957  | 8   | Connecting rod   |                     |
| 4   | 3853162  | 16  | · Bolt           |                     |
| 5   | 3853413  | 16  | · Nut            |                     |
| 6   | 3853149  | 8   | Bearing          |                     |
| 7   | 3856923  | 1   | Crankshaft       |                     |
| 8   | 3855969  | 1   | · Pin            |                     |
| 9   | 3862360  | 1   | Bearing kit      |                     |
| 10  | 949518   | 1   | Hexagon screw    |                     |
| 11  | 3852046  | 1   | Spring washer    |                     |
| 12  | 3858177  | 1   | Washer           |                     |
| 13  | 3862261  | 1   | Vibration damper |                     |
| 14  | 3862363  | 1   | Ring             |                     |
| 15  | 3852690  | 1   | Sprocket         |                     |
| 16  | 3852663  | 2   | Woodruff key     |                     |
| 17  | 3852656  | 1   | Gasket           |                     |
| 18  | 3856140  | 1   | Pin              |                     |
| 19  | 3856925  | 1   | Housing          |                     |
| 20  | 3853202  | 2   | · Stud           |                     |
| 21  | 3856926  | 1   | · Sealing        |                     |
| 22  | 3853205  | 1   | Stud             |                     |
| 23  | 3853206  | 1   | Nut              |                     |
| 24  | 3853203  | 2   | Bolt             | L=.875" (22.2mm)    |
|     | 3853204  | 1   | Bolt             | L=1.75" (44.5mm)    |
| 25  | 3853958  | 1   | Flywheel         |                     |
|     | 3855970  | 1   | · Gear           |                     |
| 26  | 3858437  | 1   | Rubber coupling  |                     |
| 27  | 3853274  | 6   | Stud             |                     |
| 28  | 3853273  | 6   | Nut              |                     |

|  |  |  |  |  |
|--|--|--|--|--|
|  |  |  |  |  |
|--|--|--|--|--|