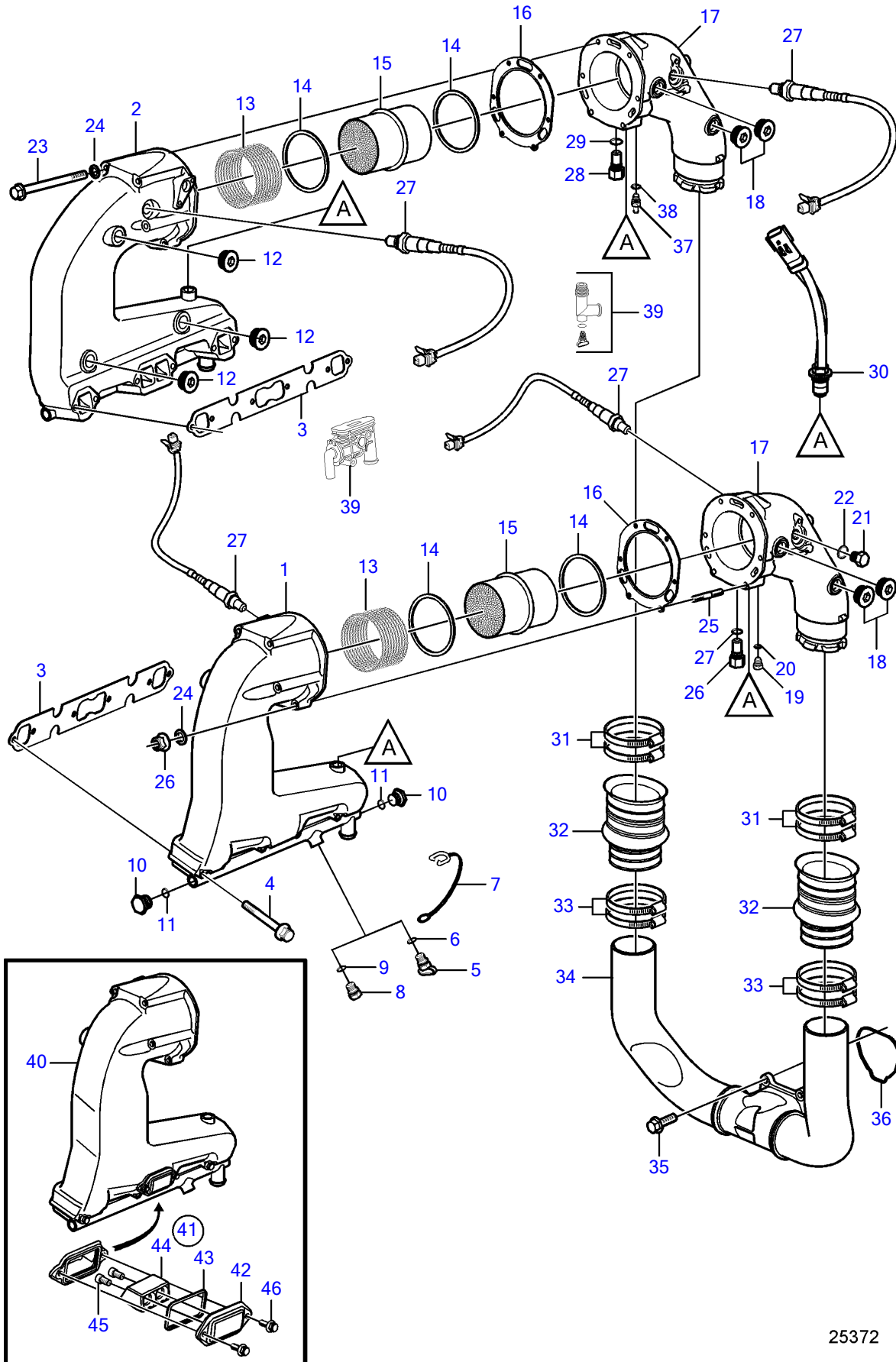


5.7GiC-300-R, 5.7GXIC-320-R



25372

5.7GiC-300-R, 5.7GXIC-320-R

REF	PART NO.	QTY	DESCRIPTION	SEE SEC.	NOTES
1	21356427	1	Exhaust manifold		
2	21356425	1	Exhaust manifold		
3	3852468	2	Gasket		
4	3857184	12	Flange screw		
5	21114522	2	Drain plug		
	3849500	2	• Plug		Replaced by 21114522
6	976970	2	• O-ring		
7	3849892	2	• Retainer		
8	40005082	2	Plug		
9	976970	2	• O-ring		
10	21399013	4	Plug		
11	21286721	4	• O-ring		
12	21399010	6	Plug		M27
		6	• O-ring		
13	3889967	2	Support sleeve		
14	3889966	4	Sealing ring		
15	3889994	2	Catalytic converter		
16	40005439	2	Gasket		
17	21519754	2	Elbow pipe		Replaced by 21571773
	21571773	2	Elbow	37679	
18	21399010	4	Plug		M27
		4	• O-ring		
19	40005082	1	Plug		
20	976970	1	• O-ring		
21	960632	2	Plug		
22	977751	2	Gasket		
23	968893	8	Flange screw		
24	941907	12	Spring washer		
25	953058	4	Stud		
26	945408	4	Flange nut		
27	3883724	4	Sensor, oxygen		
		4	• Sealing washer		not sold separately
28	21194290	2	Anode		
29	980998	2	• O-ring		
30	3889526	2	Sensor, temperature		
31	3863443	4	Hose clamp		
32	3887765	2	Bellows		
33	3863442	4	Hose clamp		
34	3887622	1	Exhaust pipe		
35	3841928	4	Flange screw		
36	3841013	1	Gasket		
37	21115767	1	Adapter		
38	976970	1	• O-ring		
39		2	Thermostat		See "Exhaust Thermostat system" page
		2	Fitting		See "Exhaust Thermostat system" page
40	21356425	1	Exhaust manifold, starboard		
	21356427	1	Exhaust manifold, port		
41		2	Kit		
42	21403627	2	• Cover plate		
43	21403629	2	• Sealing		
44	21403633	2	• Anode		
45	963675	4	• Hex. socket screw		
46	946544	4	Flange screw		