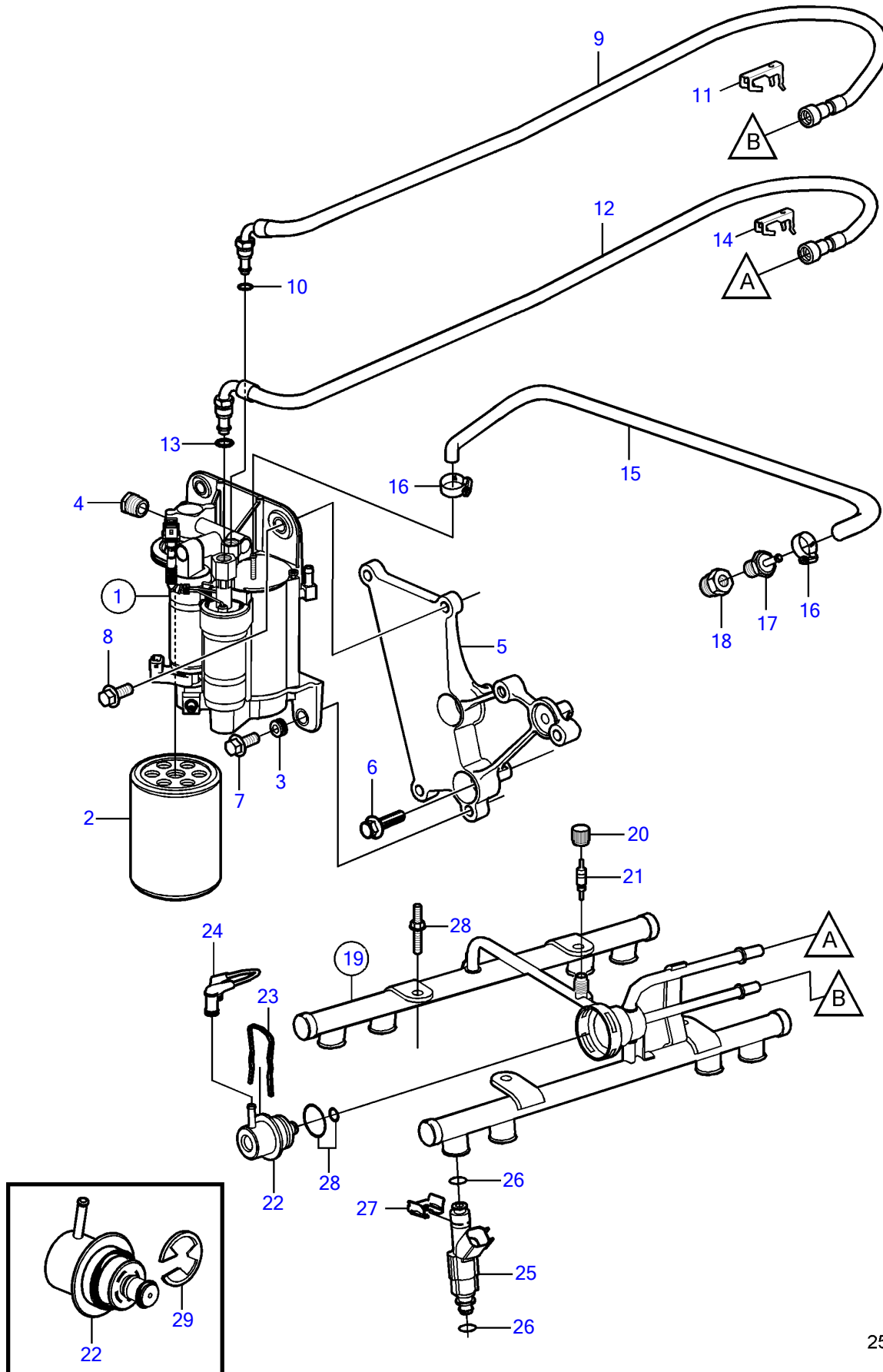


5.7GiC-300-R, 5.7GXIC-320-R



25360

5.7GiC-300-R, 5.7GXIC-320-R

REF	PART NO.	QTY	DESCRIPTION	SEE SEC.	NOTES
1	21545138	1	Fuel pump		replaced by next part number
	21608511	1	Fuel pump		
	3588865	1	• Fuel pump kit		High pressure fuel pump
2	3847644	1	• Fuel filter		
			• Bulletin P-23-3-4	P-23-3-4-EN	High Capacity Fuel Filter, Gas
			• Bulletin p-18-8-1	p-18-8-1-EN	Volvo Penta Ethanol Fuel treatment
3	3861396	4	• Rubber bushing		
4	3857816	1	Bushing		
5	21358873	1	Bracket		
6	3850753	3	Flange screw		
7	982702	2	Flange screw		
8	946472	2	Flange screw		
9	3888727	1	Fuel hose		
10	3850424	1	• O-ring		
11	3887195	1	Locking clip		
12	3888725	1	Fuel hose		
13	3850423	1	• O-ring		
14	3887198	1	Locking clip		
15	3807072	1	Kit		
		1	• Hose		
16	3860413	2	Hose clamp		
17	3860290	1	Nipple		
18	3861926	1	Tube fitting		
19	3858966	1	Fuel pipe		
20	3858972	1	Cardboard tube		
21	3858971	1	Valve		
22	3858967	1	Governor		
			• Bulletin P-23-7-3	P-23-7-3-EN	Fuel Pressure Regulator, 4.3L, 5.0L, 5.7L
23	3858968	1	Clip		
24	3858974	1	Hose		
25	21141691	8	Injector		
26	3858981	1	O-ring		Includes 16 o-rings for injectors and 2 o-rings for pressure regulator.
27	3858970	8	Retainer		
28	3858973	4	Bolt		
29	21491831	1	Clip		