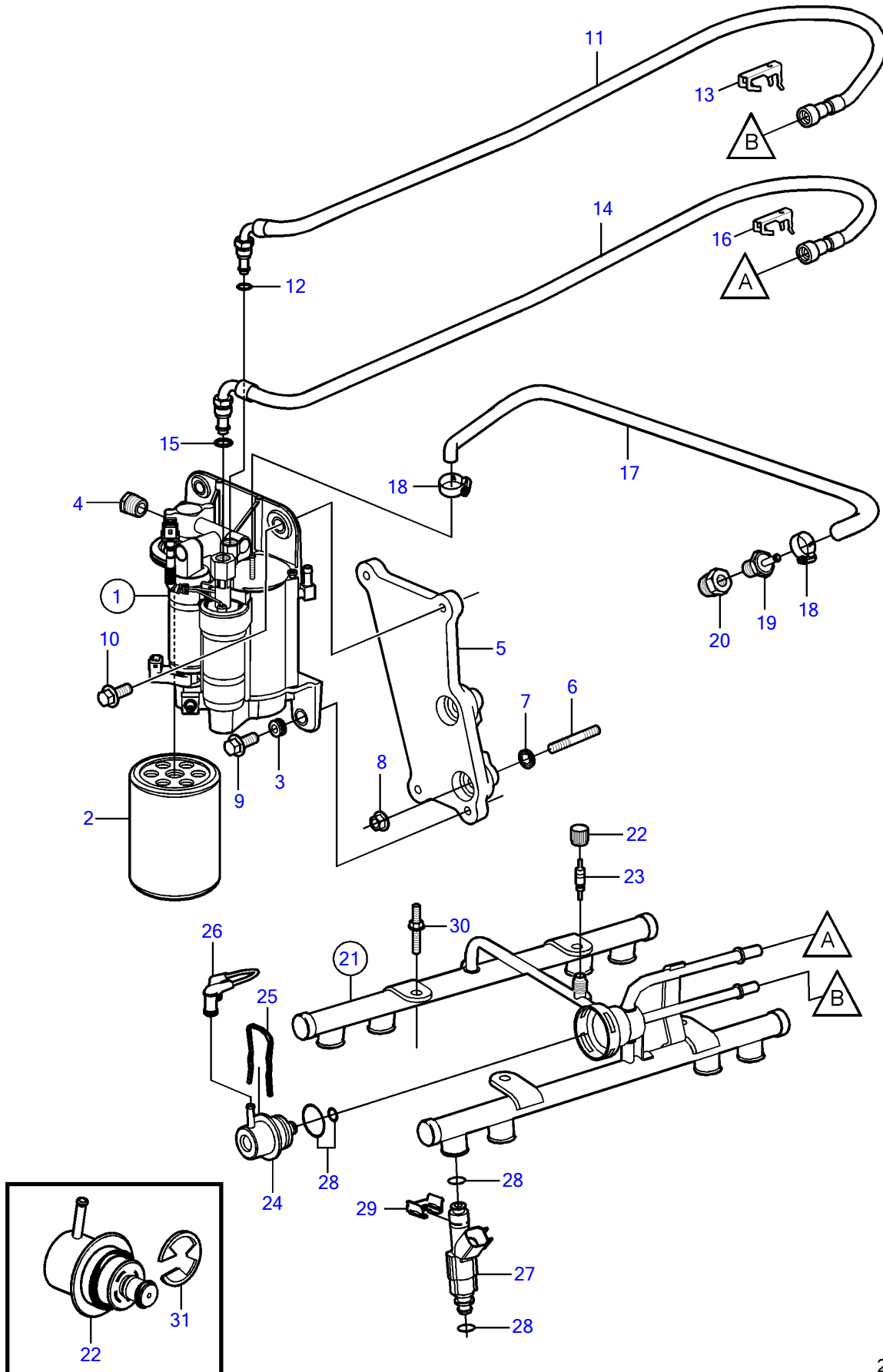


5.7GiC-300-J, 5.7GiC-300-JF, 5.7GXiC-J, 5.7GXiC-JF



5.7GiC-300-J, 5.7GiC-300-JF, 5.7GXIC-J, 5.7GXIC-JF

REF	PART NO.	QTY	DESCRIPTION	SEE SEC.	NOTES
1	3594444	1	Fuel pump		
	3588865	1	• Fuel pump kit		High pressure fuel pump
2	3847644	1	• Fuel filter		
			• Bulletin P-23-3-4	P-23-3-4-EN	High Capacity Fuel Filter, Gas
			• Bulletin p-18-8-1	p-18-8-1-EN	Volvo Penta Ethanol Fuel treatment
3	3861396	4	• Rubber bushing		
4	3857816	1	Bushing		
5	3861031	1	Bracket		
6	3860928	2	Stud		
7	3860538	2	Spring clip, speed		
8	3853404	2	Nut		
9	982702	2	Flange screw		
10	982702	2	Flange screw		Sea water cooling
	946472	2	Flange screw		Fresh water cooling
11	3888727	1	Fuel hose		
12	3850424	1	• O-ring		
13	3887195	1	Locking clip		
14	3888725	1	Fuel hose		
15	3850423	1	• O-ring		
16	3887198	1	Locking clip		part not sold
17	3807072	1	Kit		
18	3860413	2	Hose clamp		
19	3860290	1	Nipple		
20	3861926	1	Tube fitting		
21	3858966	1	Fuel pipe		
22	3858972	1	Cardboard tube		
23	3858971	1	Valve		
24	3858967	1	Governor		
			• Bulletin P-23-7-3	P-23-7-3-EN	Fuel Pressure Regulator, 4.3L, 5.0L, 5.7L
25	3858968	1	Clip		
26	3858974	1	Hose		
27	21141691	8	Injector		
28	3858981	1	O-ring		Includes 16 o-rings for injectors and 2 o-rings for pressure regulator.
29	3858970	8	Retainer		
30	3858973	4	Bolt		
31	21491831	1	Clip		