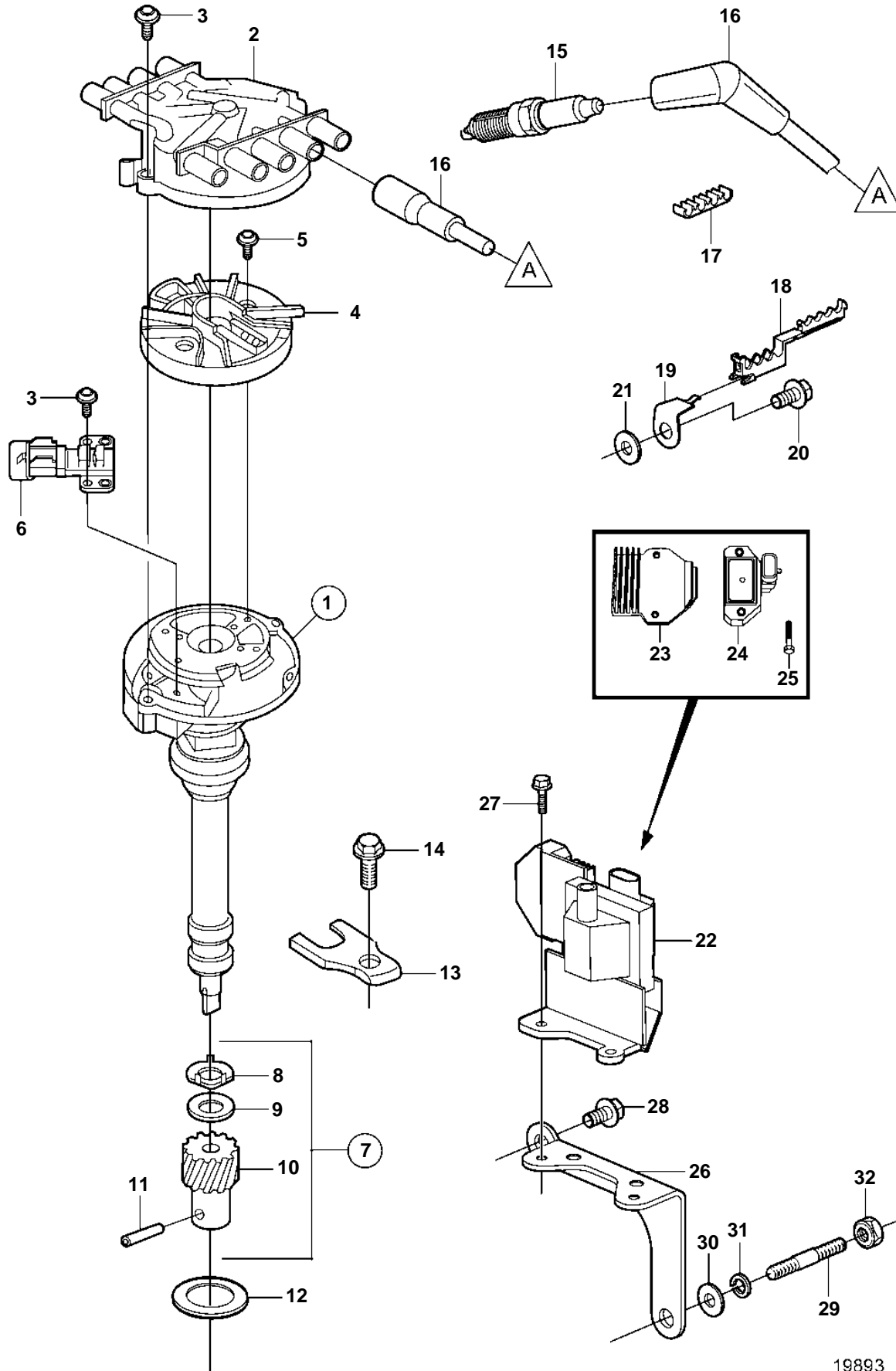


5.7Gi-E, 5.7Gi-EF, 5.7Giil-E, 5.7GXi-F, 5.7GXi-FF, 5.7GXil-F, 5.7OSi-D, 5.7OSi-DF, 5.7OSXi-D, 5.7OSXi-DF



19893

5.7Gi-E, 5.7Gi-EF, 5.7GiL-E, 5.7GXi-F, 5.7GXi-FF, 5.7GXil-F, 5.7OSi-D, 5.7OSi-DF, 5.7OSXi-D, 5.7OSXi-DF

REF	PART NO.	QTY	DESCRIPTION	SEE SEC.	NOTES
1	3861987	1	Distributor		
2	3858975	1	· Distributor cap		
3	3858976	4	· Bolt		
4	3858977	1	· Rotor		
5	3858978	2	· Bolt		
6	3863130	1	· Sensor, camshaft position		
7	3858980	1	· Kit		
8		1	· · Washer		
9		1	· · Washer		
10		1	· · Gear		
11		1	· · Pin		
12	3852109	1	Gasket		
13	3852108	1	Clamp		
14	3861978	1	Screw		
15	3858996	2	Kit		4 PACK
	3858998	X	Kit		24 PACK
16	3859000	1	Ignition cable kit		
17	3852491	2	Retainer		
18	3852619	2	Retainer		
19	3856052	2	Bracket		
20	3853557	2	Screw		
21	980933	1	Washer		S.B
22	3861985	1	Coil		
23	3858985	1	· Cooling plate		
24	3858984	1	· Module		
25	3858986	2	· Bolt		
26	3863294	1	Bracket		
27	946544	2	Flange screw		
28	3860582	1	Screw		
	3852478	1	Screw		STAINLESS STEEL
29	3850571	1	Stud	6563	
	982675	1	Stud		STAINLESS STEEL
30	980933	1	Washer		
	982475	1	Spring washer		
31	982679	1	Toothed washer		
	982475	1	Spring washer		
32	982672	1	Hexagon nut		