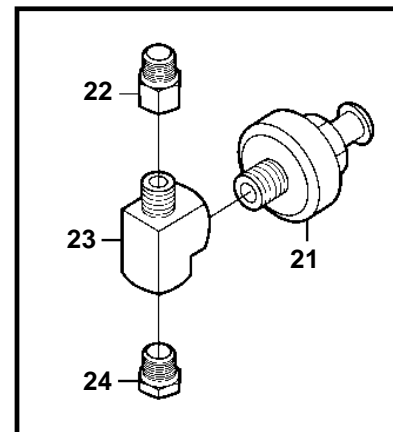
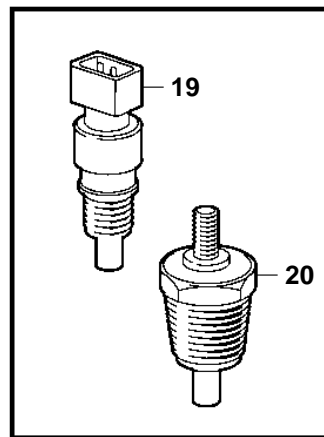
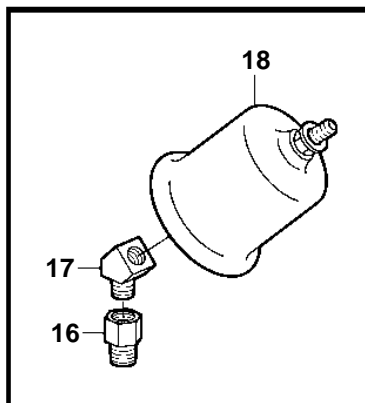
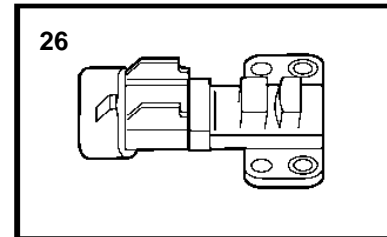
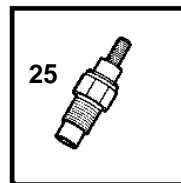
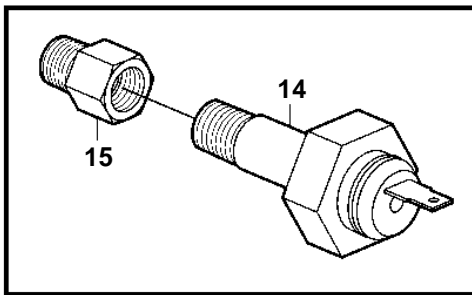
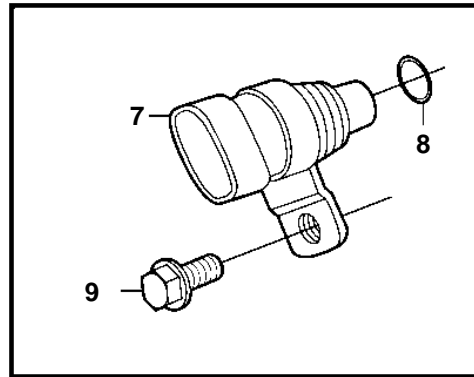
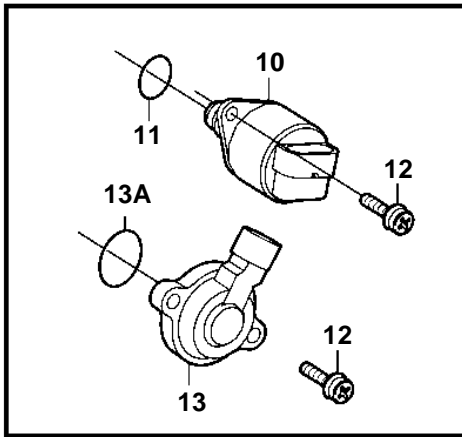
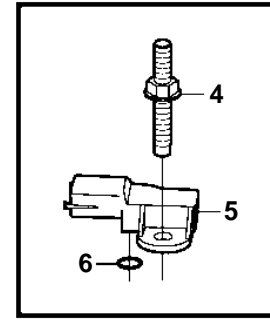
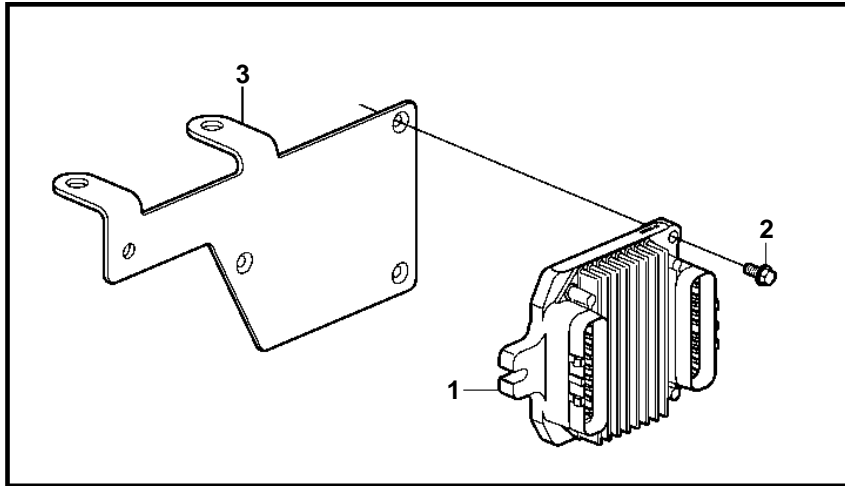


5.7Gi-E, 5.7Gi-EF, 5.7GiI-E, 5.7OSi-D, 5.7OSi-DF



5.7Gi-E, 5.7Gi-EF, 5.7Giil-E, 5.7OSi-D, 5.7OSi-DF

REF	PART NO.	QTY	DESCRIPTION	NOTES
1	3863334	1	Module	
2	3852053	3	Screw	
3	3857815	1	Bracket	
4	3858973	1	Bolt	
5	3858987	1	Sensor, MAT/MAP	
6	3858988	1	· Sealing	
7	3858979	1	Sensor, crankshaft position	
8	3859009	1	· O-ring	
9	3858983	1	Bolt	
10	3857696	1	lac valve	
11	3858054	1	· O-ring	
12	3857693	1	Screw	
13	3857487	1	Sensor, throttle position	
13A		1	· O-ring	
14	3852215	1	Sensor, oil pressure	
15	3855776	1	Adapter	
16	3850660	1	Fitting	
17	3852503	1	Elbow	
18	3857532	1	Oil pressure sensor, oil pressure	
	872064	X	Pressure sensor, oil pressure	DUAL STATION
19	3850397	1	Switch	
20	3852029	1	Sensor, coolant water temp.	
	872068	X	Temperature sensor, coolant water temp.	DUAL STATION
21	3850357	1	Knock sensor, knock	
22	3862196	1	Fitting	P
23	3850490	2	Fitting	
24	3850802	2	Plug	
25	3862500	2	Temperature sensor	
26	3863130	1	Sensor, camshaft position	