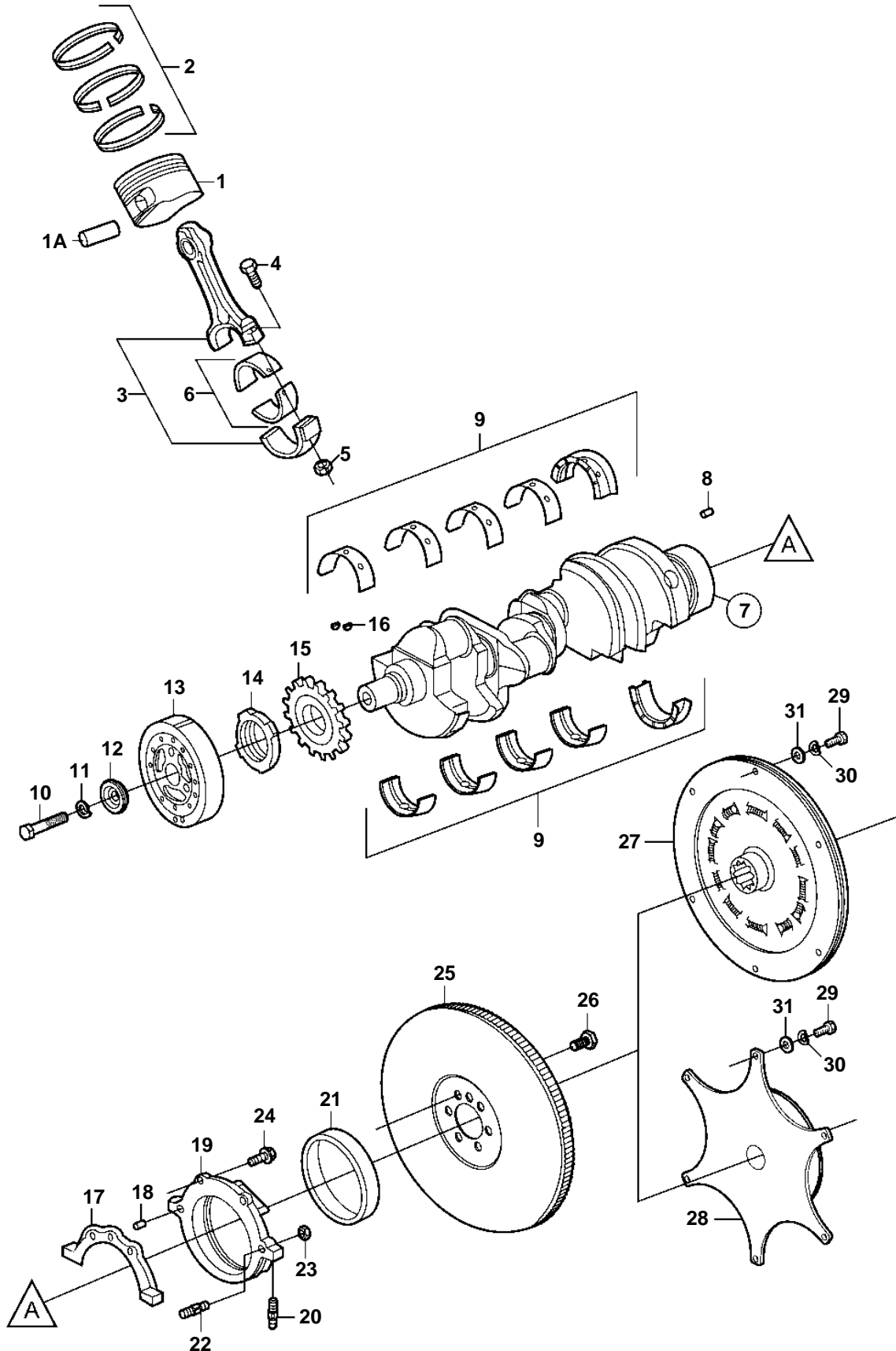


5.7GiI-E, 5.7GXii-F



## 5.7GiI-E, 5.7GXii-F

REF	PART NO.	QTY	DESCRIPTION	NOTES
1	3855742	8	Piston	Std
	3855743	X	Piston	O.S=0.50mm
1A		8	· Pin	
2	3855740	8	Piston ring	Std
	3855741	X	Piston ring	O.S=0.50mm
3	3853957	8	Connecting rod	
4	3853162	16	· Bolt	
5	3853413	16	· Nut	
6	3853149	8	Bearing	
7	3856923	1	Crankshaft	
8	3855969	1	· Pin	
9	3862360	1	Bearing kit	
10	949518	1	Hexagon screw	
11	3852046	1	Spring washer	
12	3858177	1	Washer	
13	3862261	1	Vibration damper	
14	3862363	1	Ring	
15	3852690	1	Sprocket	
16	3852663	2	Woodruff key	
17	3852656	1	Gasket	
18	3856140	1	Pin	
19	3856925	1	Housing	
20	3853202	2	· Stud	
21	3856926	1	· Sealing	
22	3853205	1	Stud	
23	3853206	1	Nut	
24	3853203	2	Bolt	L=.875" (22.2mm)
	3853204	1	Bolt	L=1.75" (44.5mm)
25	855833	1	Flywheel	
	3855970	1	· Gear	
26	3856130	6	Bolt	
27	3860981	1	Vibration damper	HURTH 630D, BW72C
28	3862300	1	Rubber damper	HURTH 630A, 630V
29	835482	6	Screw	
30	942336	6	Spring washer	
31	940097	6	Washer	