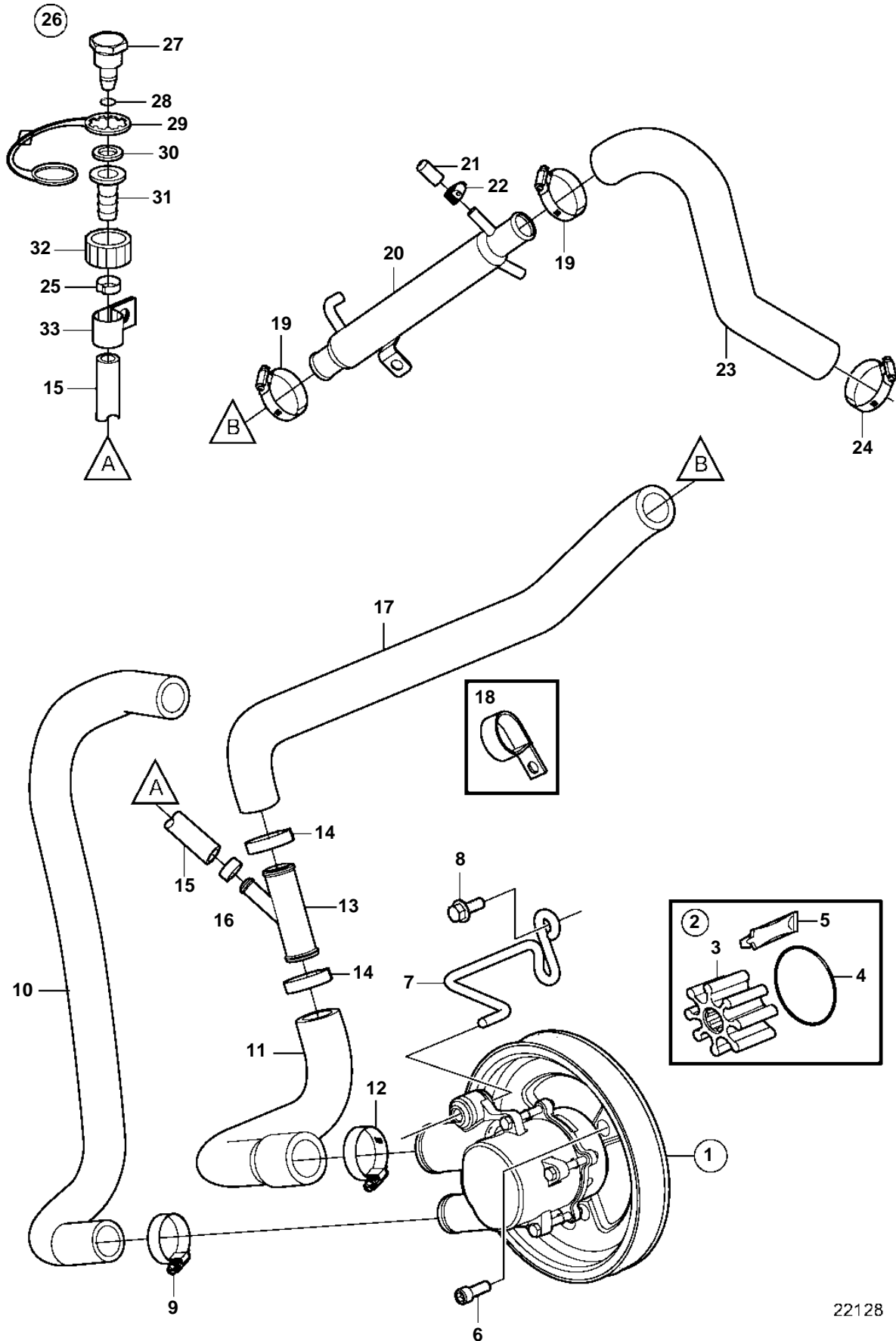


5.7Gi-300-J, 5.7GXi-J



22128

5.7Gi-300-J, 5.7GXi-J

REF	PART NO.	QTY	DESCRIPTION	NOTES
1	3812519	1	Pump	replaced by next part number
	21212799	1	Pump	
2	3842786	1	• Kit	replaced by next part number
	21213664	1	• Impeller kit	
3		1	• • Impeller	not sold separately
4	3858938	1	• • O-ring	
5		1	• • Lubricant, glycerin	not sold separately
6	3857939	3	Screw	
7	3812240	1	Bracket	
8	3860163	2	Screw	
9	3863441	1	Hose clamp	
10	3817817	1	Hose	
11	3817822	1	Hose	
12	3863440	1	Hose clamp	
13	3862699	1	T-pipe	
14	982645	2	Clamp	
15	3862901	1	Hose	
16	983168	1	Clamp	
17	3862543	1	Hose	
18	3853312	1	Clamp	
19	3863444	2	Hose clamp	
20	3862629	1	Oil cooler	
21	3856766	1	Cardboard tube	
22	3860413	1	Hose clamp	
23	3817579	1	Hose	
24	3812302	1	Hose clamp	
25	983146	1	Clamp	
26	3807440	1	Connector	
27		1	• Cap	not sold separately
28	942978	1	• O-ring	
29	3862082	1	• Retainer	
30	3807664	1	• Washer	
31		1	• Connector	not sold separately
32		1	• Connector	not sold separately
33	3862891	1	Attaching clamp	