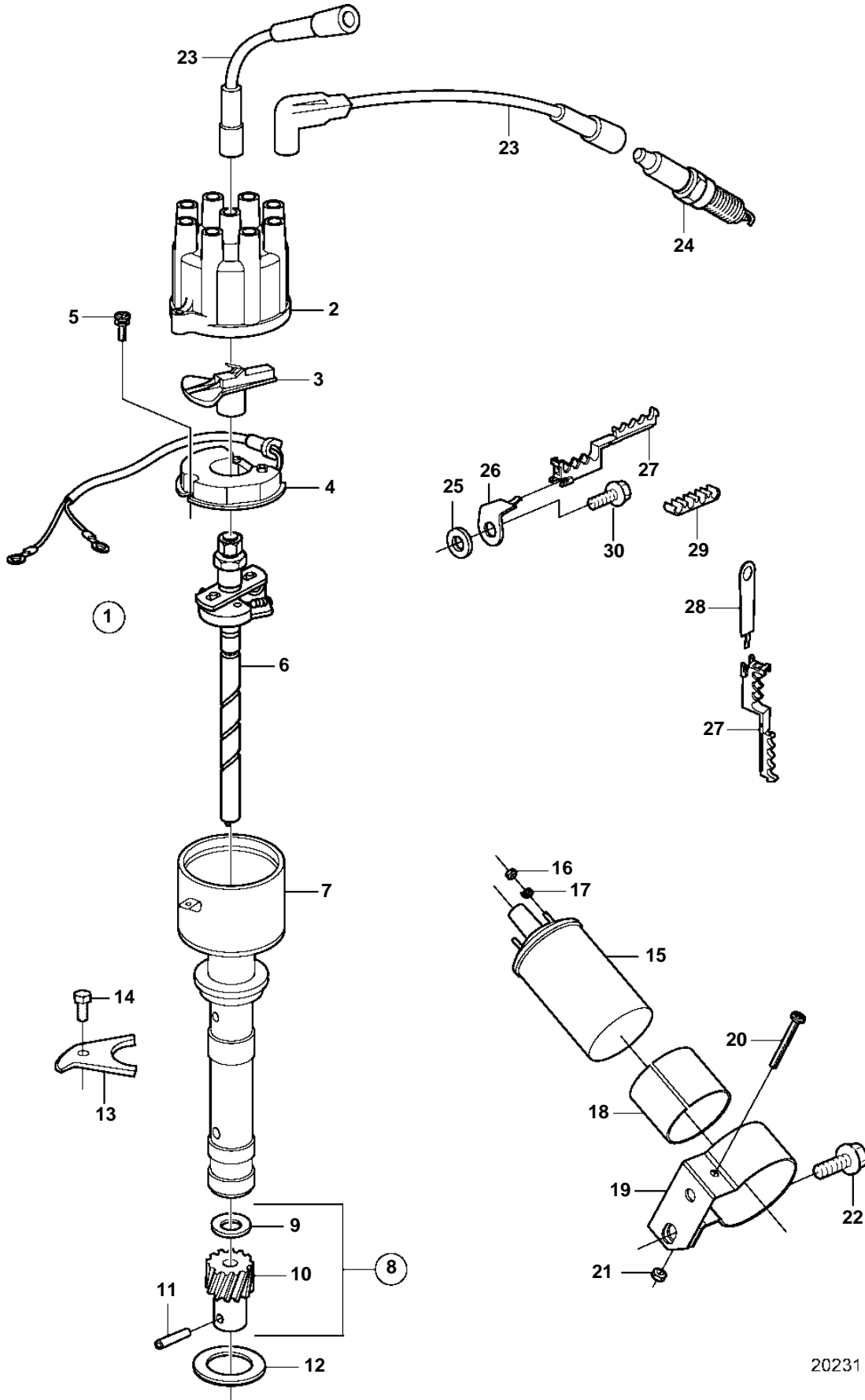


5.7GLPMDA



Upd: 2008-10-20

20231

20231

7748040 - 28 - 35348

5.7GLPMDA

REF	PART NO.	QTY	DESCRIPTION	NOTES
1	3854043	1	Distributor	
2	3853815	1	• Distributor cap	
3	3853801	1	• Rotor	
4	3854077	1	• Module	
5		2	• Screw	
6		1	• Shaft	
7		1	• Housing	
8	3853888	1	• Gear set	
9		1	• • Washer	
10		1	• • Gear	
11		1	• • Pin	
12	3852109	1	Gasket	
13	3852108	1	Clamp	
14	3856129	1	Screw	
15	3852217	1	Ignition coil	
16	3852064	2	Nut	
17	3852001	2	Lock washer	
18	3853236	1	Spacer	
19		1	Clamp	
20	3852126	1	Screw	
21	3852079	1	Nut	
22	3860163	1	Screw	
23	3857166	1	Ignition cable kit	
24	3851861	2	Spark plug kit	4 pack
	3851860	1	Spark plug kit	24 pack
25	980933	2	Washer	
26	3856052	2	Bracket	
27	3852619	4	Retainer	
28	3856053	2	Bracket	
29	3852491	2	Retainer	
30	3853419	2	Screw	