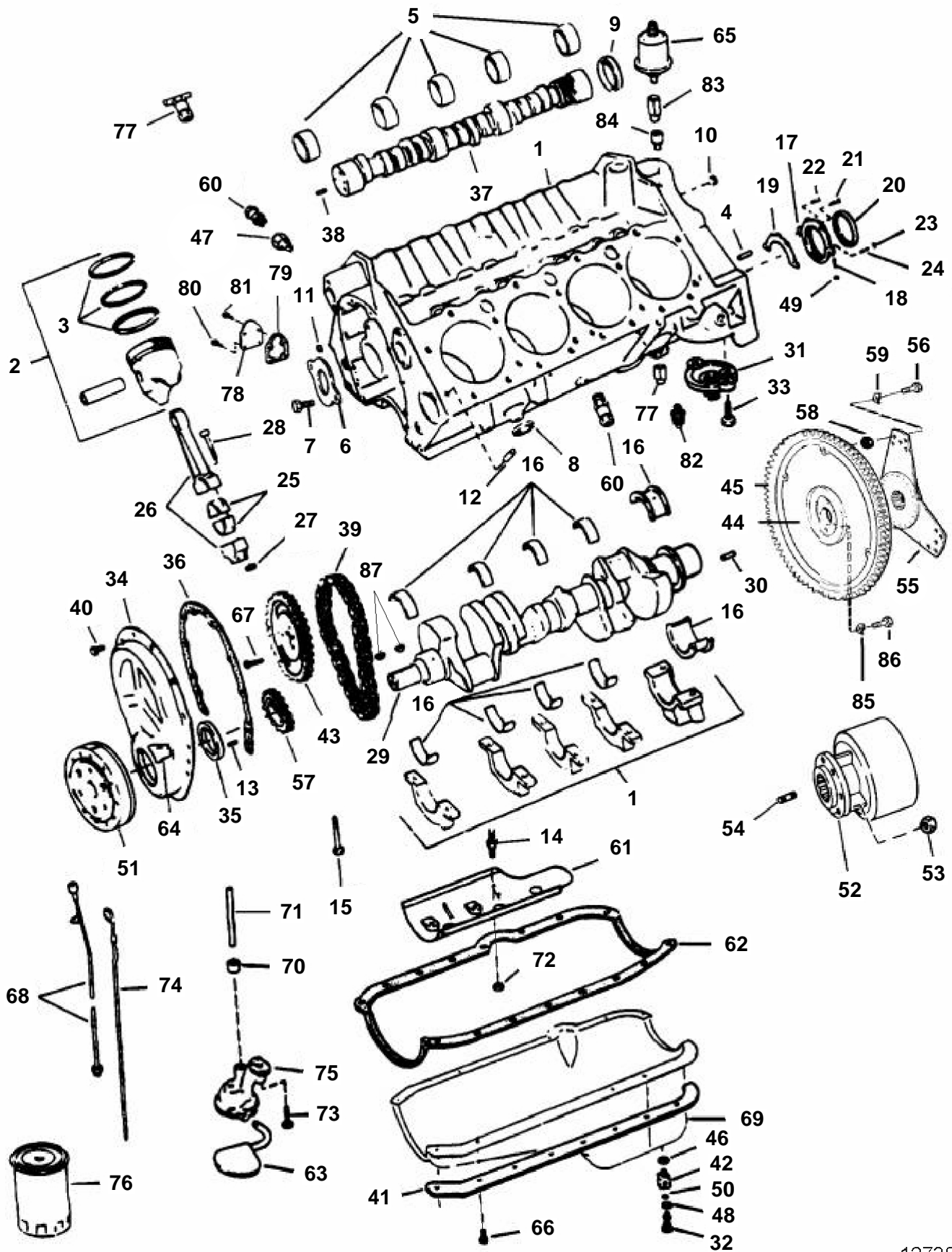


5.7GLPLKA, 5.7GLPLKD, 5.7GLPLKE, 5.7GLPLKR, 5.7GSPLKD, 5.7GSPLKE, 5.7GLIPLKDCE, 5.7GIPLKDCE, 5.7GIPLKECE



Upd: 2009-10-21

12738

12738_____
7797410 - 21 - 10782

5.7GLPLKA, 5.7GLPLKD, 5.7GLPLKE, 5.7GLPLKR, 5.7GSPLKD, 5.7GSPLKE, 5.7GLIPLKDCE, 5.7GIPLKDCE, 5.7GIPLKECE

REF	PART NO.	QTY	DESCRIPTION	SEE SEC.	NOTES
1	3850848	1	Longblock		
			· Bulletin P-21-0-11	P-21-0-11-EN	Longblock Guidelines, early 5.7L
2	3854219	8	Piston, Standard		
		1	Piston, 0.010 in. OS		
	3854221	1	Piston kit, 0.030 in. OS		
3	3853960	8	· Piston ring kit, Standard		
	3853961	1	· Piston ring kit, 0.030 in. OS		
4		2	Locating pin, Flywheel housing		
	3855969	1	Pin, Flywheel housing		
5	3856162	1	Kit		
6	3855998	1	Retainer		
7	3853172	2	· Screw, Camshaft retainer		
8	3852100	8	Core plug, Engine block		
9	3853209	1	Core plug, Rear camshaft bearing		
10	3852471	3	Plug, Engine block		
11	3853208	3	Cap plug, Oil gallery, front		
12	3853114	4	Locating pin, Cylinder head		
13	3855972	1	Pin, Timing cover		
14	3856146	5	Stud, Bearing cap		
15	3853214	10	Bolt, Bearing cap		
	3856140	1	Pin, Bearing cap		
16	3856154	1	Bearing		
	3856155	1	Bearing, 0.010 in. US		0.25 mm
	3856156	1	Bearing, 0.020 in. US		0.51 mm
17	3856925	1	Housing, Rear oil seal		
18	3853202	2	Stud, Oil pan		
19	3852656	1	Gasket, Rear oil seal housing		
20	3852657	1	Sealing, Rear		
21	3853203	2	Bolt, Rear oil seal		
22	3853204	2	Bolt, Rear oil seal		
23	3853206	1	Nut, Rear oil seal retainer		
24	3853205	1	Stud, Rear oil seal housing		
25	3856116	8	Bearing, Standard		
	3856117	1	Bearing, 0.010 in. US		0.25 mm
26	3853957	8	Connecting rod		
27	3853413	16	Nut, Connecting rod		
28	3853162	16	Bolt, Connecting rod		
29		1	Crankshaft		
30	3853200	1	Pin, Flywheel		
31	3852219	1	Valve, Oil filter bypass		
32	3850822	1	Retainer, Oil pan drain		
33	3852133	2	Screw, Oil filter adapter to engine		
34	3856594	1	Timing gear cover		
35	3855739	10	Grommet, Timing cover		
36	3852654	1	Gasket, Timing cover		
37	3856119	1	Camshaft		
38	3855972	1	Pin, Camshaft sprocket		
39	3852685	1	Chain, Camshaft timing		
40	3855736	2	Screw, Timing cover		
	3855737	6	Screw, Timing cover		
41	3856120	1	Reinforcement, Oil pan		Port
	3856121	1	Reinforcement, Oil pan		Stbd
42	3855112	1	Fitting, Oil pan drain		
43	3856114	1	Sprocket, Camshaft		
	3856151	2	Washer, Bolt, camshaft sprocket		
44	3853958	1	Flywheel		
45	3855970	1	Gear, Flywheel		
46	3851981	1	Washer, Fitting to oil pan		
47	3852489	1	Adapter, Petcock		
48	3852007	1	Washer, Retainer, oil pan drain		
49	3853168	4	Nut, Oil pan		
50	3853674	1	O-ring, Retainer, oil pan drain		
51	3855734	1	Vibration damper		

5.7GLPLKA, 5.7GLPLKD, 5.7GLPLKE, 5.7GLPLKR, 5.7GSPLKD, 5.7GSPLKE, 5.7GLIPLKDCE, 5.7GIPLKDCE, 5.7GIPLKECE

REF	PART NO.	QTY	DESCRIPTION	SEE SEC.	NOTES
52	3853917	1	Clutch		SX, DP-S
53	3853273	6	Nut		SX, DP-S
54	3853274	1	Stud		SX, DP-S
55	855656	1	Oscillation damper		290 DP
56	835482	3	Screw, Torsional damper to flywheel		
57	3852690	1	Sprocket, Crankshaft		
58	940097	3	Washer, Screw, damper to flywheel		290 DP
59	942336	3	Spring washer, Damper to flywheel		290 DP
60	3854494	2	Drain cock, Water drain, engine		Early
	3850802	2	Plug, Water drain, engine		Late
61	3852744	1	Baffle, Oil		
62	3856138	1	Gasket kit, Oil pan		
63	3856126	1	Strainer		
64	3856140	1	Pin, Timing indicator		
65	3853800	1	Oil pressure sensor, Oil pressure		
	872064	1	Pressure sensor, Oil pressure, dual station		
66	3852595	14	Bolt, Oil pan		
67	3853173	3	Bolt, Camshaft sprocket		
68	3850249	1	Tube, Oil level gage		
	3852033	1	O-ring, Oil tube to fitting		
69	3857778	1	Sump		metric drain
70	3853199	1	Retainer, Oil pump shaft		
71	3853198	1	Shaft, Oil pump		
72	3853134	5	Nut, Oil deflector		
73	3853234	2	Bolt, Oil pump		
74	3850474	1	Gauge		
75	3856125	1	Oil pump		
76	835440	1	Oil filter		
			· Bulletin P-21-7-1	P-21-7-1-EN	Oil Filters, GM gas engines
77	3850490	1	Fitting, Drain, knock sensor		Stbd
78	3850418	1	Cardboard tube		
79	3852113	1	Gasket, Fuel pump plate		
80	3852053	2	Screw, Cover, fuel pump flange		
81	3853419	2	Screw, Cover, fuel pump flange		
82	3852215	1	Pressure monitor, Oil pressure		
83	3852503	1	Elbow, Oil pressure sender to adapter		
84	3855776	1	Adapter, Oil pressure sending unit		
85	941909	6	Spring washer, Flywheel to crank		290 DP
86	3856130	6	Bolt, Flywheel to crank		290 DP
87	3852663	2	Woodruff key		