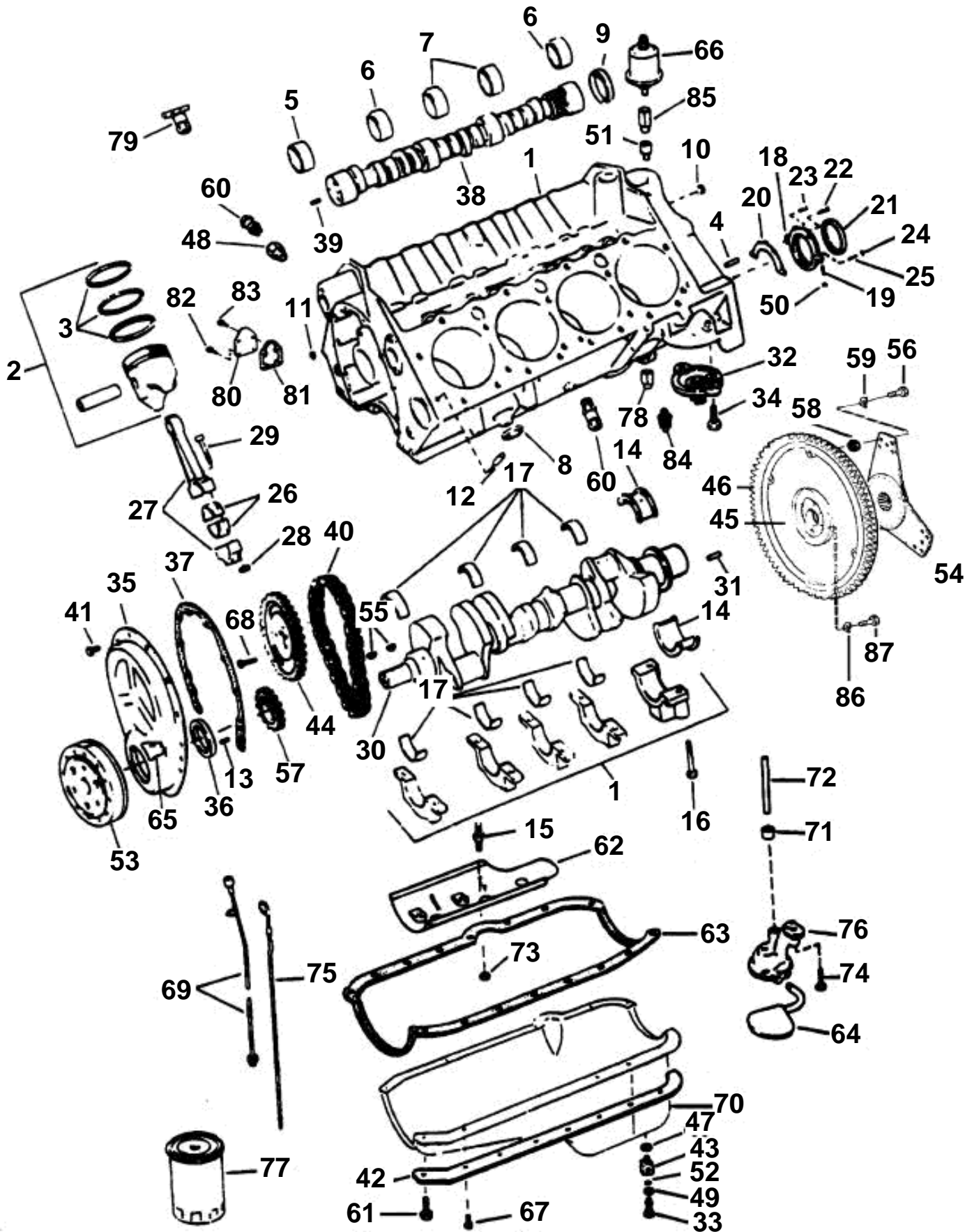


5.7GIPHUS



5.7GIPHUS

REF	PART NO.	QTY	DESCRIPTION	SEE SEC.	NOTES
1	3850848	1	Longblock · Bulletin P-21-0-11	P-21-0-11-EN	Longblock Guidelines, early 5.7L
2	3854219	8	Piston kit, Standard		
	3854221	8	Piston kit, 0.030 in. OS		
3	3854171	1	· Piston ring kit, Standard		
	3854172	1	· Piston ring kit, 0.030 in. OS		
4		2	Locating pin, Transmission line-up		
5	3853210	1	Camshaft bearing, Camshaft, #1		
6	3853211	2	Camshaft bearing, Camshaft, #2, #5		
7	3853212	2	Camshaft bearing, Camshaft, #3, #4		
8	3852100	8	Core plug, Water jacket		
9	3853209	1	Core plug, Camshaft brg., rear		
10	3852471	10	Plug, Oil gallery		
11	3853208	3	Cap plug, Oil gallery, front		
12	3853114	8	Locating pin, Cylinder head		
13	3853213	4	Pin, Front cover & brg. cap		
14	3853221	1	Thrust bearing, Rear, standard		
	3853224	1	Thrust bearing, Rear, 0.010 in. US		
	3853225	1	Thrust bearing, Rear, 0.020 in. US		
15	3853163	5	Stud, Bearing cap		
16	3853214	5	Screw, Crankshaft, brg. Cap		
17	3853215	4	Main bearing, #1, 2, 3, & 4 standard		
	3853218	4	Main bearing, #1, 2, 3, & 4, 0.010 in. US		
	3853220	4	Main bearing, #1, 2, 3, & 4, 0.020 in. US		
18	3853201	1	Housing, Crankshaft seal		
19	3853202	2	· Stud, Oil pan		
20	3852656	1	· Gasket, Seal retainer		
21	3852657	1	· Seal, Crankshaft, rear		
22	3853203	2	Screw, Seal retainer		
23	3853204	1	Screw, Seal retainer		
24	3853206	1	Nut, Rear seal retainer		
25	3853205	1	Stud, Rear seal retainer		
26	3853149	8	Big end bearing kit, Rod, standard		
	3853152	8	Big end bearing kit, Rod,0.010 in. U/S		
	3853153	8	Big end bearing kit, Rod,0.020 in. U/S		
27	3853957	8	Connecting rod		
28	3853413	16	Nut, Rod bolt		
29	3853162	16	Screw, Connecting rod		
30	3853156	1	Crankshaft		
31	3853200	1	Pin, Flywheel		
32	3852219	1	Valve		
33	3852694	1	Hollow screw, Oil pan drain		
34	3852133	2	Screw, Adapter		
35	3853194	1	Timing gear casing, C'case front end		
36	3853341	1	Seal, Front cover		
37	3852654	1	Gasket, Front cover		
38	3853159	1	Camshaft		
39	3853213	1	Pin, Camshaft gear		
40	3852685	1	Chain, Camshaft timing		
41	3852441	10	Screw, Front cover		
42	3853161	1	Reinforcement, Starboard		
	3853160	1	Reinforcement, Port		
43	3855112	1	Fitting, Oil drain pan		
44	3852689	1	Sprocket, Camshaft		
45	3853958	1	Flywheel		
46	3853207	1	Gear ring, Flywheel		
47	3851981	1	Sealing washer, Fitting to oil pan		
48	3852489	1	Adapter, Petcock		
49	3852007	1	Washer, Retainer to fitting		
50	3853168	4	Nut, Oil pan		
51	3852968	1	Fitting, Oil sender		
52	3853674	1	O-ring, Retainer		
53	3854023	1	Vibration damper		

5.7GIPHUS

REF	PART NO.	QTY	DESCRIPTION	SEE SEC.	NOTES
54	855656	1	Vibration damper, Flywheel		
55	3852663	2	Woodruff key, Crankshaft		
56	835482	3	Screw, Damper to flywheel		
57	3852690	1	Sprocket, Crankshaft		
58	940097	3	Washer, Damper to flywheel		
59	942336	3	Spring washer, Damper		
60	3854494	2	Drain cock, Water drain		
61	3853173	2	Screw, Oil pan front		
62	3852744	1	Baffle plate, Oil pan		
63	3852664	1	Gasket, Oil pan		
64	3853197	1	Oil pump screen		
65	3853195	1	Turn signal		
66	3853800	1	Oil pressure sensor		
67	3852595	1	Screw, Oil pan		
68	3853173	3	Screw, Camshaft sprocket		
69	3850249	1	Tube, Oil drain		
70	3852686	1	Oil pan		
71	3853199	1	Retainer, Oil pump shaft		
72	3853198	1	Shaft, Oil pump to shaft & gear		
73	3853134	5	Nut, Oil pan baffle		
74	3853234	1	Screw, Pump to bloc		
75	3850474	1	Oil dipstick, Oil level		
76	3853851	1	Oil pump		
77	835440	1	Oil filter		
			· Bulletin P-21-7-1	P-21-7-1-EN	Oil Filters, GM gas engines
78	3850660	1	Fitting, Oil pressure switch		
79	3850490	1	Fitting, Drain & knock sensor		
80	3850418	1	Cover, Fuel pump flange		
81	3852113	1	Gasket		
82	3852053	2	Screw, Fuel pump flange		
83	3853419	2	Screw, Fuel pump flange		
84	3852215	1	Sender		
85	3852503		Elbow, Oil pres. sender to adapter		
86	941909	6	Spring washer, Flywheel to crank		
87	835439	6	Screw, FI wheel to crank		