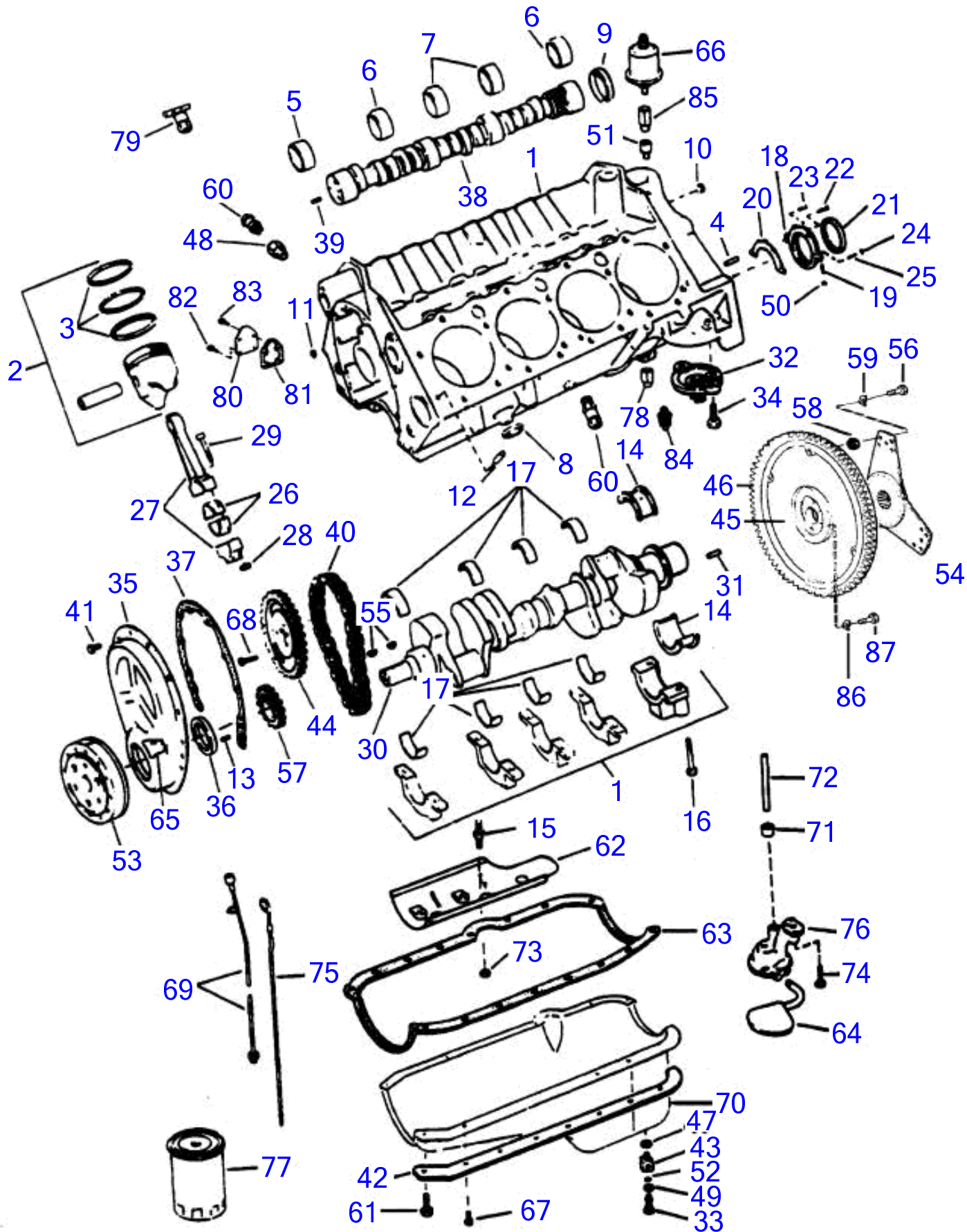


5.7GIPHUS



## 5.7GIPHUS

REF	PART NO.	QTY	DESCRIPTION	SEE SEC.	NOTES
1	3850848	1	Longblock		
			• Bulletin P-21-0-11	P-21-0-11-EN	Longblock Guidelines, early 5.7L
			• Bulletin P-21-0-25	P-21-0-25-EN	US EPA Regulations for Longblock Sales and Use
2	3854219	8	Piston, standard		
	(3854221)	8	Piston kit, 0.030 in. os		Obsolete part
3	(3854171)	1	• Piston ring kit, standard		Obsolete part
	3854172	1	• Piston ring kit, 0.030 in. os		
4	(3853113)	2	Locating pin, transmission line-up		Obsolete part
5	3853210	1	Bearing, camshaft, #1		
6	3853211	2	Bearing, camshaft, #2, #5		
7	3853212	2	Bearing, camshaft, #3, #4		
8	3852100	8	Core plug, water jacket		
9	3853209	1	Core plug, camshaft brg., rear		
10	3852471	10	Plug, oil gallery		
11	3853208	3	Cap plug, oil gallery, front		
12	3853114	8	Locating pin, cylinder head		
13	3853213	4	Pin, front cover & brg. cap		
14	3853221	1	Bearing, rear, standard		
	3853224	1	Bearing, rear, 0.010 in. U.S.		
	3853225	1	Bearing, rear, 0.020 in. U.S.		
15	3853163	5	Stud, bearing cap		
16	3853214	5	Bolt, crankshaft, brg. cap		
17	3853215	4	Bearing, #1, 2, 3, & 4 standard		
	(3853218)	4	Bearing, #1, 2, 3, & 4, 0.010 in. U.S.		Obsolete part
	(3853220)	4	Bearing, #1, 2, 3, & 4, 0.020 in. U.S.		Obsolete part
18	3853201	1	Retainer, crankshaft seal		
19	3853202	2	• Stud, oil pan		
20	3852656	1	• Gasket, seal retainer		
21	3852657	1	• Sealing, crankshaft, rear		
22	3853203	2	Bolt, seal retainer		
23	3853204	1	Bolt, seal retainer		
24	3853206	1	Nut, rear seal retainer		
25	3853205	1	Stud, rear seal retainer		
26	3853149	8	Bearing, rod, standard		
	3853152	8	Bearing, rod, 0.010 in. U/S		
	3853153	8	Bearing, rod, 0.020 in. U/S		
27	3853957	8	Connecting rod		
28	3853413	16	Nut, rod bolt		
29	3853162	16	Bolt, connecting rod		
30	(3853156)	1	Crankshaft		Obsolete part
31	3853200	1	Pin, flywheel		
32	(3852219)	1	Valve		Obsolete part
33	(3852694)	1	Retainer, oil pan drain		Obsolete part
34	3852133	2	Screw, adapter		
35	3853194	1	Timing gear casing, c'case front end		
36	3853341	1	Sealing, front cover		
37	3852654	1	Gasket, front cover		
38	(3853159)	1	Camshaft		Obsolete part
39	3853213	1	Pin, camshaft gear		
40	3852685	1	Chain, camshaft timing		
41	3852441	10	Screw, front cover		
42	3853161	1	Reinforcement, starboard		
	3853160	1	Reinforcement, port		
43	3855112	1	Fitting, oil drain pan		
44	3852689	1	Sprocket, camshaft		
45	3853958	1	Flywheel		
46	3853207	1	Gear, flywheel		
47	3851981	1	Washer, fitting to oil pan		
48	3852489	1	Adapter, petcock		
49	3852007	1	Washer, retainer to fitting		
50	3853168	4	Nut, oil pan		
51	3852968	1	Fitting, oil sender		
52	3853674	1	O-ring, retainer		

## 5.7GIPHUS

REF	PART NO.	QTY	DESCRIPTION	SEE SEC.	NOTES
53	3854023	1	Oscillation damper		
54	855656	1	Oscillation damper, flywheel		Obsolete part
55	3852663	2	Woodruff key, crankshaft		
56	835482	3	Screw, damper to flywheel		
57	3852690	1	Sprocket, crankshaft		
58	940097	3	Washer, damper to flywheel		
59	942336	3	Spring washer, damper		
60	3854494	2	Drain cock, water drain		
61	3853173	2	Bolt, oil pan front		
62	3852744	1	Baffle, oil pan		
63	3852664	1	Gasket, oil pan		
64	3853197	1	Oil strainer		
65	3853195	1	Turn signal		
66	3853800	1	Oil pressure sensor		
67	3852595	1	Bolt, oil pan		
68	3853173	3	Bolt, camshaft sprocket		
69	3850249	1	Tube, oil drain		
70	3852686	1	Sump		
71	3853199	1	Retainer, oil pump shaft		
72	3853198	1	Shaft, oil pump to shaft & gear		
73	3853134	5	Nut, oil pan baffle		
74	3853234	1	Bolt, pump to bloc		
75	3850474	1	Gauge, oil level		
76	3853851	1	Oil pump		
77	835440	1	Oil filter		
			• Bulletin P-21-7-1	P-21-7-1-EN	Oil Filters, GM gas engines
78	3850660	1	Fitting, oil pressure switch		
79	3850490	1	Fitting, drain & knock sensor		
80	3850418	1	Cardboard tube, fuel pump flange		
81	3852113	1	Gasket		
82	3852053	2	Flange screw, fuel pump flange		
83	(3853419)	2	Flange screw, fuel pump flange		Obsolete part
84	3852215	1	Sensor		
85	3852503		Elbow, oil pres. sender to adapter		
86	941909	6	Spring washer, flywheel to crank		
87	835439	6	Screw, Fi wheel to crank		