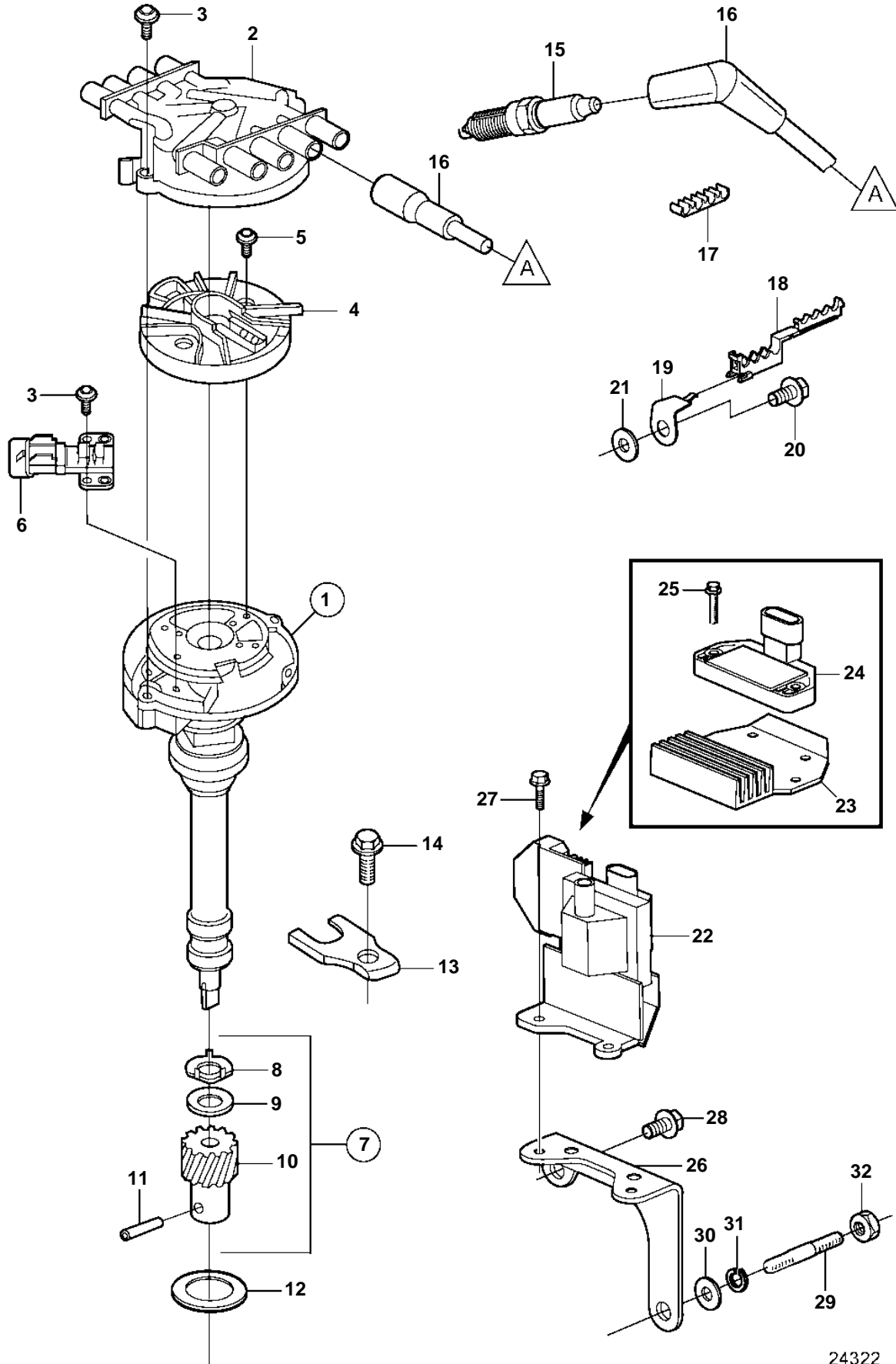


5.0GiCE-J, 5.0GiCE-JF, 5.0GXiCE-J, 5.0GXiCE-JF, 5.0GiCE-M, 5.0GiCE-MF, 5.0GXiCE-M, 5.0GXiCE-MF



5.0GiCE-J, 5.0GiCE-JF, 5.0GXiCE-J, 5.0GXiCE-JF, 5.0GiCE-M, 5.0GiCE-MF, 5.0GXiCE-M, 5.0GXiCE-MF

REF	PART NO.	QTY	DESCRIPTION	NOTES
1	3861987	1	Distributor	
2	3858975	1	· Distributor cap	
3	3858976	4	· Bolt	
4	3858977	1	· Rotor	
5	3858978	2	· Bolt	
6	3863130	1	· Sensor, camshaft position	
7	3858980	1	· Kit	
8		1	· · Washer	not sold separately
9		1	· · Washer	not sold separately
10		1	· · Gear	not sold separately
11		1	· · Pin	not sold separately
12	3852109	1	Gasket	
13	3852108	1	Clamp	
14		1	Screw	
15	3858996	2	Kit	4 pack
	3858998	X	Kit	24 pack
16	3888328	1	Ignition cable kit	
17		2	Retainer	
18	3852619	2	Retainer	
19	3856052	2	Bracket	
20		2	Screw	
21	980933	1	Washer	Starboard
22	3861985	1	Coil	
23	3858985	1	· Cooling plate	
24	3858984	1	· Module	
25	3858986	2	· Bolt	
26	21132543	1	Bracket	
27	946544	2	Flange screw	
28	3860582	1	Screw	
29	3850571	1	Stud	
30	980933	1	Washer	
31	3852002	1	Spring washer	
32		1	Nut	