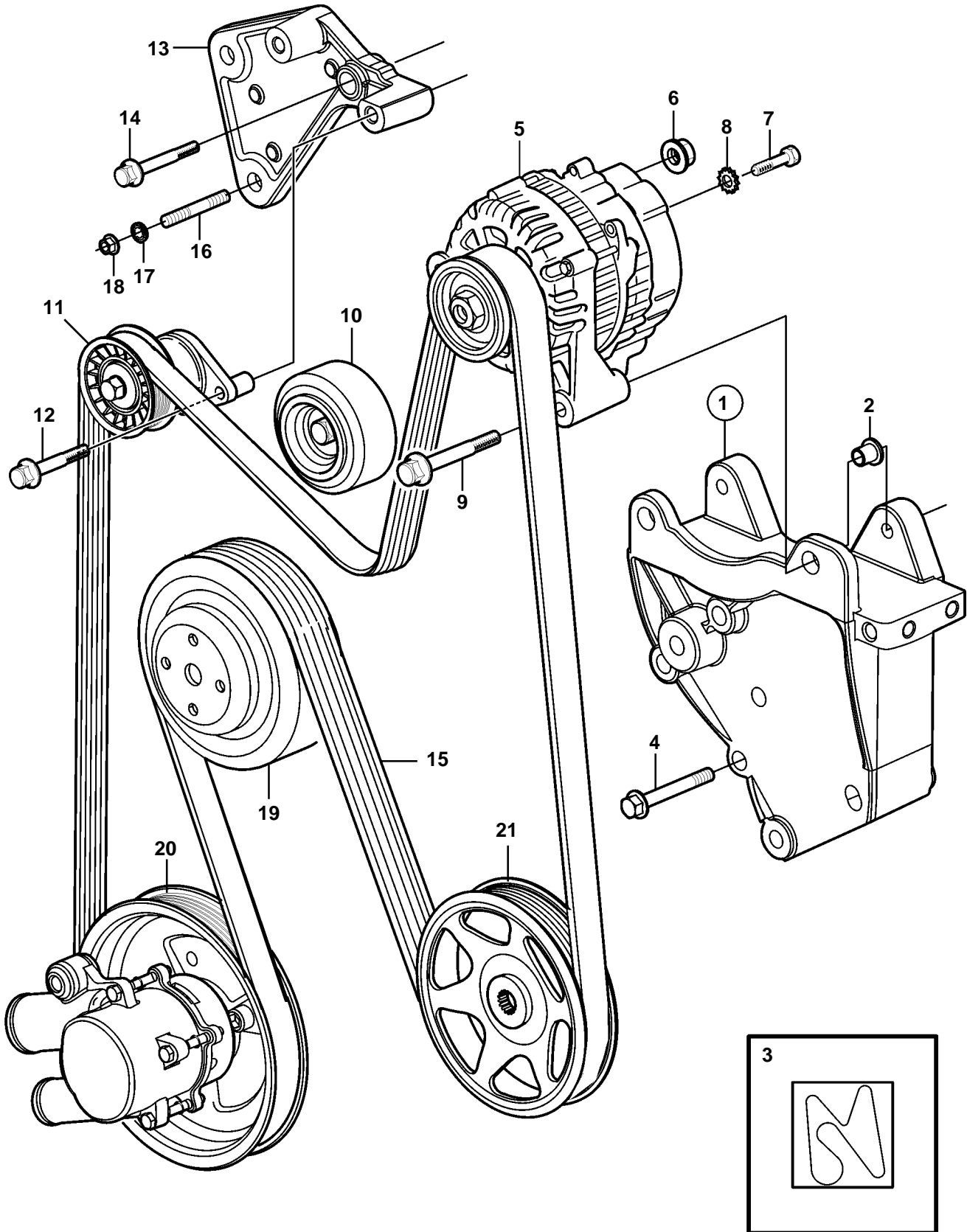


5.0GXIE-JF, 5.0GXIE-J, 5.0OSiE-JF, 5.0OSiE-J, 5.0GXIE-K, 5.0GXIE-KF, 5.0GXIE-M, 5.0GXIE-MF, 5.0GXIE-N



5.0GXIE-JF, 5.0GXIE-J, 5.0OSiE-JF, 5.0OSiE-J, 5.0GXIE-K, 5.0GXIE-KF, 5.0GXIE-M, 5.0GXIE-MF, 5.0GXIE-N

REF	PART NO.	QTY	DESCRIPTION
1	3847534	1	Bracket
2	3863175	2	· Bushing
3	3863274	1	Decal
4	3860281	3	Screw
5	3884950	1	Alternator
6	945408	1	Flange nut
7	3852208	1	Screw
8	3852520	1	Washer
9	947790	2	Flange screw
10	3861009	1	Pulley
11	3885250	1	Belt tensioner
12	3841928	2	Screw
13	3886598	1	Bracket
14	3841928	1	Screw
15	21132390	1	Belt
16	3860928	2	Stud
17	3860538	2	Nut, speed
18	3853404	2	Nut
19		1	Pulley, circulation pump
20		1	Sea water pump
21		1	Pulley, power steering pump