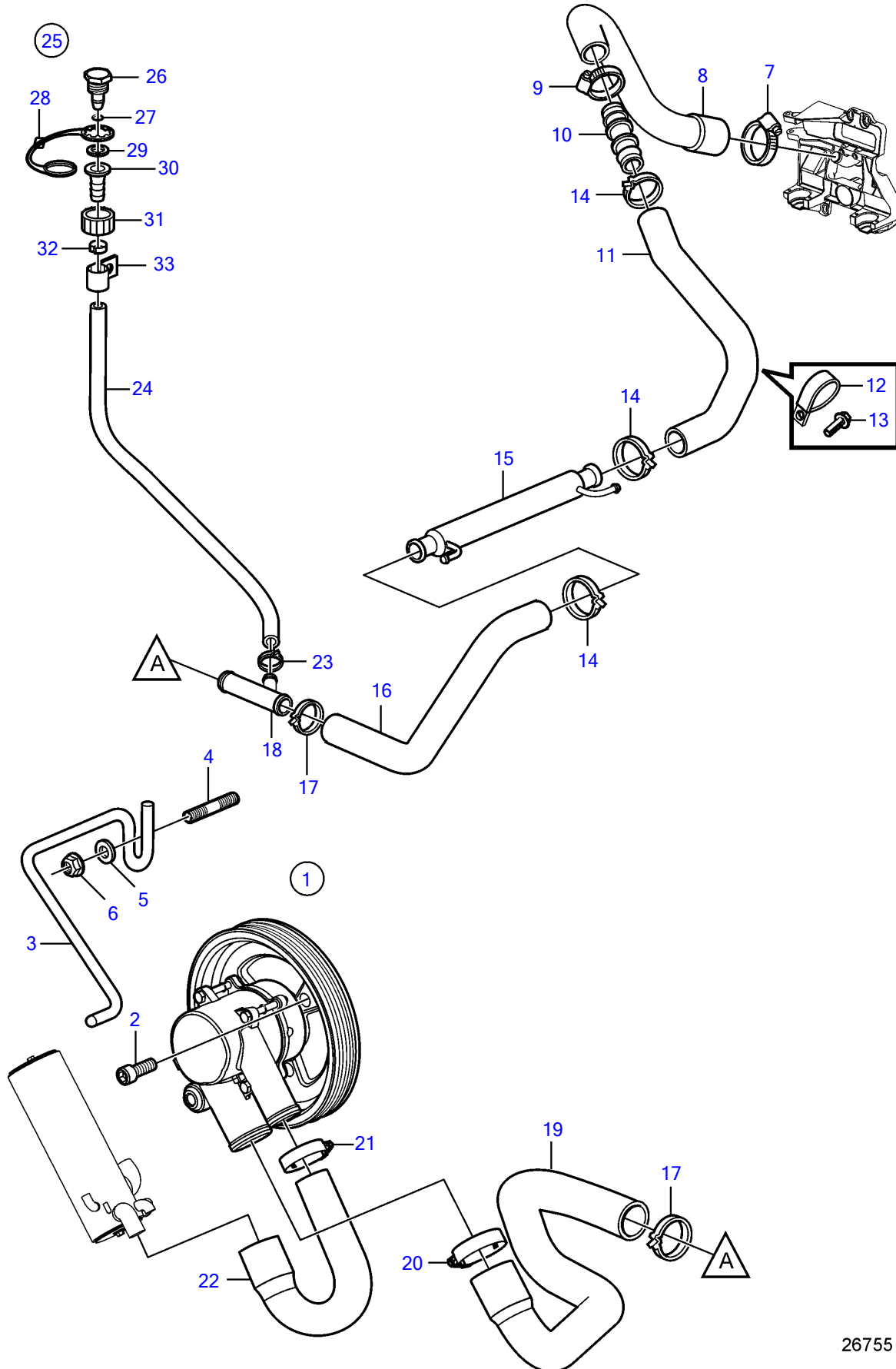


5.0GXIE-P



26755

5.0GXIE-P

REF	PART NO.	QTY	DESCRIPTION	NOTES
1	21212799	1	Pump	
2	3857939	3	Screw	
3	3817688	1	Bracket	
4	941814	2	Stud	
5	980933	2	Washer	
6	3857181	2	Flange lock nut	
7	3812302	1	Hose clamp	
8	21340837	1	Hose	
9	3863444	2	Hose clamp	
10	21429137	1	Connector	
11	21429139	1	Hose	
12	3853312	2	Clamp	replaced by next part number
	21619466	2	Attaching clamp	
13	(3853557)	2	Flange screw	Obsolete part, 3/8" - 16 unc, L=0.75" (19mm)
14	982645	3	Clamp	
15	21399019	1	Hydraulic oil cooler	
16	21545763	1	Hose	
17	982645	2	Clamp	
18	3862699	1	T-pipe	
19	21517955	1	Hose	
20	3863440	1	Hose clamp	
21	3852602	1	Hose clamp	
22	3817818	1	Hose, heat exchanger	
23	983168	1	Hose clamp	
24	3860747	1	Hose	
25	3807440	1	Connector	
26		1	• Cap	not sold separately
27	942978	1	• O-ring	
28	3862082	1	• Retainer	
29	3807664	1	• Washer	
30		1	• Connector	not sold separately
31		1	• Connector	not sold separately
32	983168	1	Hose clamp	
33	3862891	1	Attaching clamp	