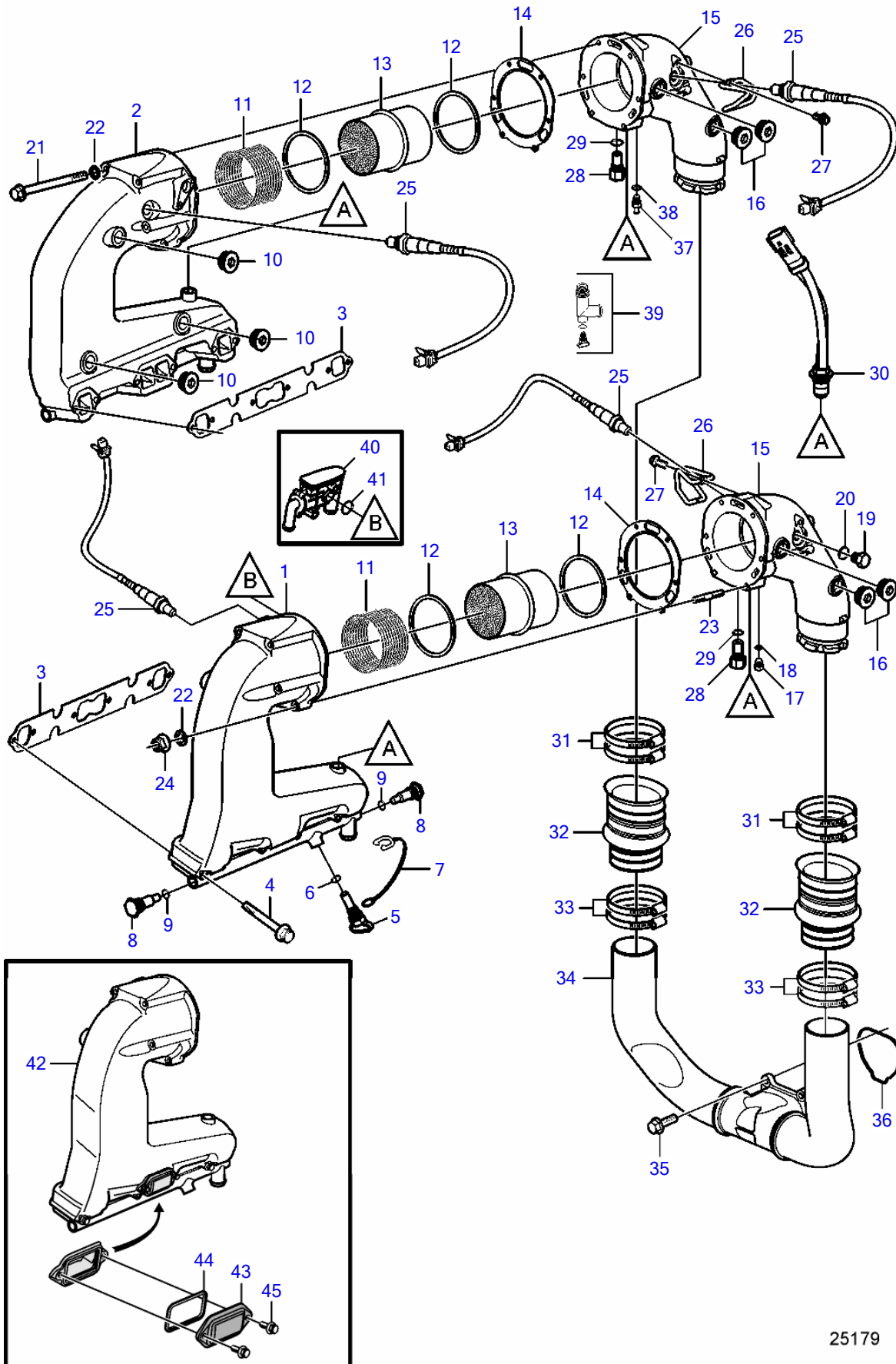


5.0GXIC-J, 5.0GXIC-JF



25179

5.0GXIC-J, 5.0GXIC-JF

REF	PART NO.	QTY	DESCRIPTION	SEE SEC.	NOTES
1	21357392	1	Exhaust manifold		
2	21357393	1	Exhaust manifold		
3	3852468	2	Gasket		
4	3857184	12	Flange screw		
5	21194285	2	Anode, reference		
6	976970	2	• O-ring		
7	3849892	2	• Retainer		
8	21193133	4	Anode		
9	980998	4	• O-ring		
10	21166232	6	Plug		M24
		6	• O-ring		
	21178107	6	Plug		M27
		6	• O-ring		
11	3889967	2	Support sleeve		
12	3889966	4	Sealing ring		
13	3889994	2	Catalytic converter		
14	40005439	2	Gasket		
15	3848529	2	Elbow pipe		Has 24mm core plugs, replaced by next part number
	21468082	2	Elbow pipe		Has 27mm core plugs, Replaced by 21571773
	21571773	2	Elbow	37679	
16	21166232	4	Plug		M24
		4	• O-ring		
	21178107	4	Plug		M27
		4	• O-ring		
17	21118621	1	Plug		
18	976970	1	• O-ring		
19	960632	2	Plug		
20	977751	2	Gasket		
21	968893	8	Flange screw		
22	941907	12	Spring washer		
23	953058	4	Stud		
24	945408	4	Flange nut		
25	3883724	4	Sensor, oxygen		
		4	• Sealing washer		not sold separately
26	3889435	2	Bracket		
27	965175	2	Flange screw		
28	21194290	2	Anode		
29	980998	2	• O-ring		
30	3889526	2	Sensor, temperature		
31	3863443	4	Hose clamp		
32	3887765	2	Bellows		
33	3863442	4	Hose clamp		
34	3887622	1	Exhaust pipe		
35	3841928	4	Flange screw		
36	3841013	1	Gasket		
37	21115767	1	Adapter		
38	976970	1	• O-ring		
39		2	Fitting		See "Exhaust Thermostat system" page
40		2	Thermostat		See "Exhaust Thermostat system" page
41	21411368	2	O-ring		
42	21357392	1	Exhaust manifold, starboard		
	21357393	1	Exhaust manifold, port		
43		2	Cover plate		
44	21403629	2	Sealing		
45	946544	4	Flange screw		