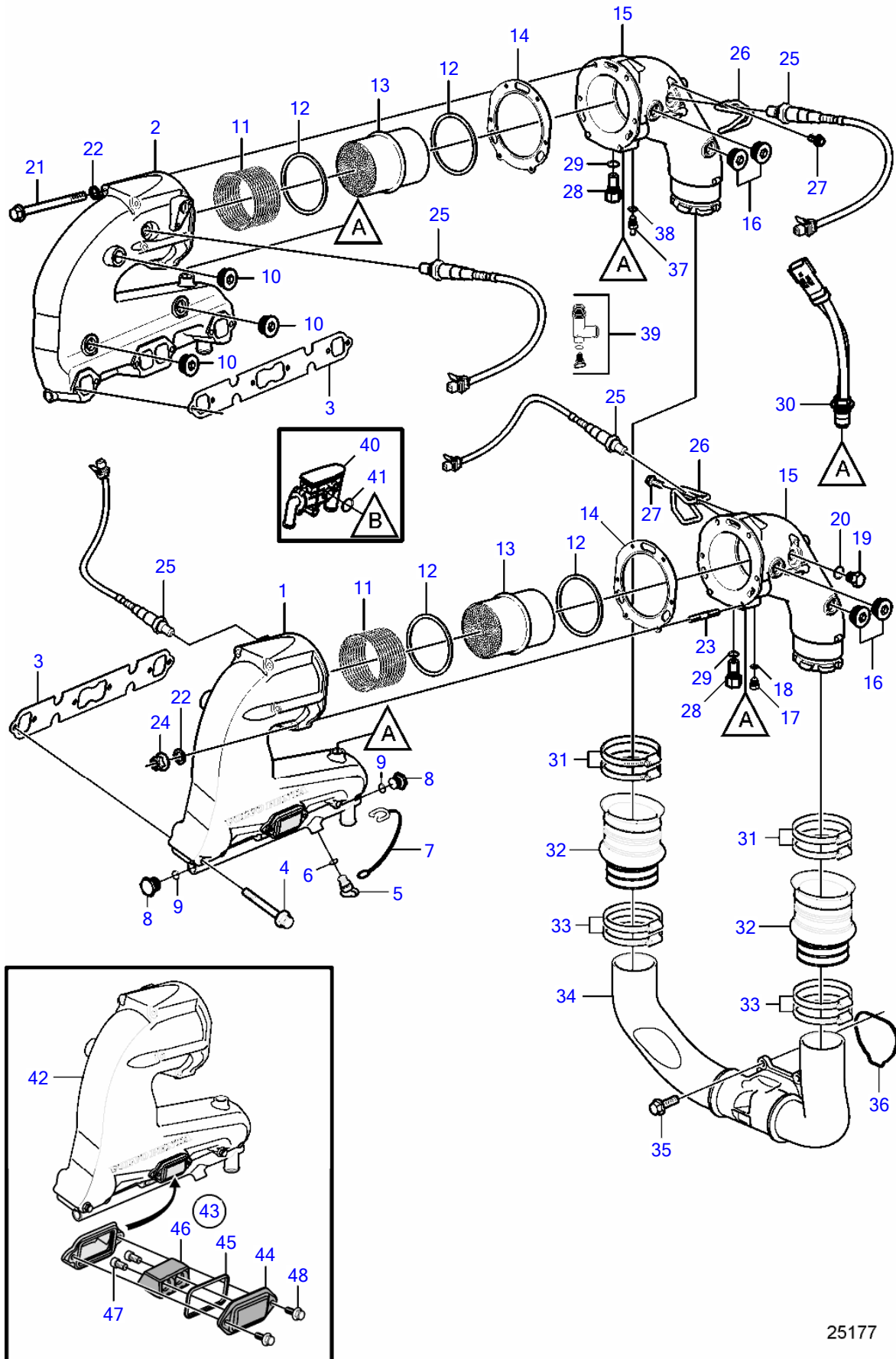


5.0GXIC-J, 5.0GXIC-JF



25177

5.0GXIC-J, 5.0GXIC-JF

| REF | PART NO. | QTY | DESCRIPTION | SEE SEC. | NOTES |
|-----|----------|-----|-----------------------------|----------|---|
| 1 | 21356423 | 1 | Exhaust manifold | | |
| 2 | 21356421 | 1 | Exhaust manifold | | |
| 3 | 3852468 | 2 | Gasket | | |
| 4 | 3857184 | 12 | Flange screw | | |
| 5 | 21114522 | 2 | Drain plug | | |
| | 3849500 | 2 | • Plug | | Replaced by 21114522 |
| 6 | 976970 | 2 | • O-ring | | |
| 7 | 3849892 | 2 | • Retainer | | |
| 8 | 21399013 | 4 | Plug | | |
| 9 | 21286721 | 4 | • O-ring | | |
| 10 | 21166232 | 6 | Plug | | M24 |
| | | 6 | • O-ring | | |
| | 21178107 | 6 | Plug | | M27 |
| | | 6 | • O-ring | | |
| 11 | 3889967 | 2 | Support sleeve | | |
| 12 | 3889966 | 4 | Sealing ring | | |
| 13 | 3889994 | 2 | Catalytic converter | | |
| 14 | 40005439 | 2 | Gasket | | |
| 15 | 3848529 | 2 | Elbow pipe | | Has 24mm core plugs, replaced by next part number |
| | 21468082 | 2 | Elbow pipe | | Has 27mm core plugs, Replaced by 21571773 |
| | 21571773 | 2 | Elbow | 37679 | |
| 16 | 21166232 | 4 | Plug | | M24 |
| | | 4 | • O-ring | | |
| | 21178107 | 4 | Plug | | M27 |
| | | 4 | • O-ring | | |
| 17 | 21118621 | 1 | Plug | | |
| 18 | 976970 | 1 | • O-ring | | |
| 19 | 960632 | 2 | Plug | | |
| 20 | 977751 | 2 | Gasket | | |
| 21 | 968893 | 8 | Flange screw | | |
| 22 | 941907 | 12 | Spring washer | | |
| 23 | 953058 | 4 | Stud | | |
| 24 | 945408 | 4 | Flange nut | | |
| 25 | 3883724 | 4 | Sensor, oxygen | | |
| | | 4 | • Sealing washer | | not sold separately |
| 26 | 3889435 | 2 | Bracket | | |
| 27 | 965175 | 2 | Flange screw | | |
| 28 | 21194290 | 2 | Anode | | |
| 29 | 980998 | 2 | • O-ring | | |
| 30 | 3889526 | 2 | Sensor, temperature | | |
| 31 | 3863443 | 4 | Hose clamp | | |
| 32 | 3887765 | 2 | Bellows | | |
| 33 | 3863442 | 4 | Hose clamp | | |
| 34 | 3887621 | 1 | Exhaust pipe | | |
| 35 | 3841928 | 4 | Flange screw | | |
| 36 | 3841013 | 1 | Gasket | | |
| 37 | 21115767 | 1 | Adapter | | |
| 38 | 976970 | 1 | • O-ring | | |
| 39 | | 2 | Fitting | | See "Exhaust Thermostat system" page |
| 40 | | 2 | Thermostat | | See "Exhaust Thermostat system" page |
| 41 | 21411368 | 2 | O-ring | | |
| 42 | 21356421 | 1 | Exhaust manifold, starboard | | |
| | 21356423 | 1 | Exhaust manifold, port | | |
| 43 | | 2 | Kit | | |
| 44 | 21403627 | 2 | • Cover plate | | |
| 45 | 21403629 | 2 | • Sealing | | |
| 46 | 21403633 | 2 | • Anode | | |
| 47 | 963675 | 4 | • Hex. socket screw | | |
| 48 | 946544 | 4 | Flange screw | | |