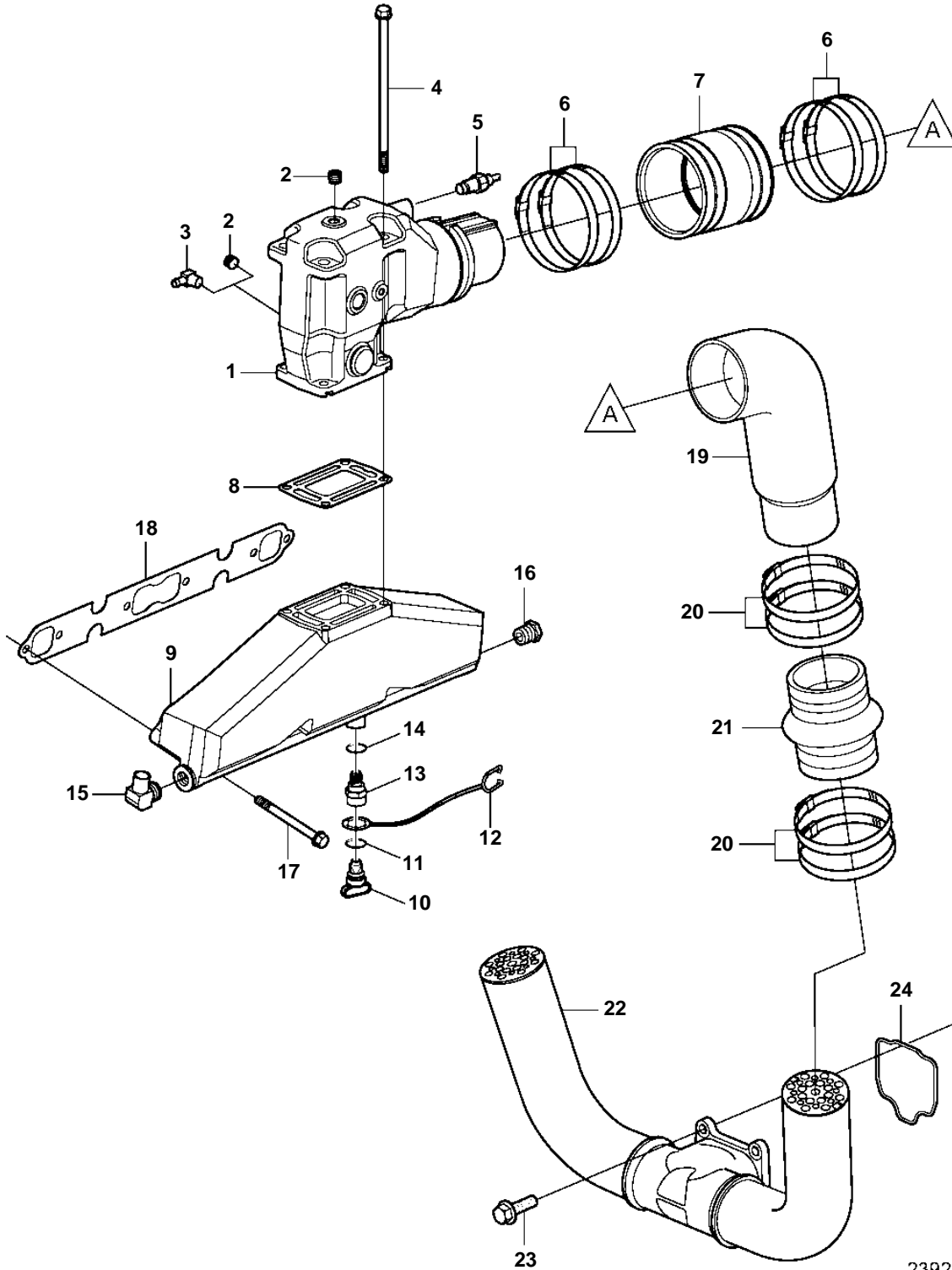
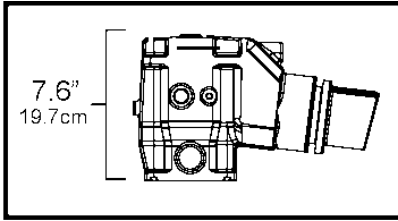


5.00Si-J, 5.00Si-JF



5.00Si-J, 5.00Si-JF

| REF | PART NO. | QTY | DESCRIPTION | SEE SEC. | NOTES |
|-----|----------|-----|---------------------|-------------|---|
| 1 | 3863061 | 2 | Elbow | | |
| | | | · Bulletin P-25-1-5 | P-25-1-5-EN | Riser Extension Kit |
| | | | · Bulletin P-25-1-4 | P-25-1-4-EN | Tall Riser Options |
| 2 | 3850740 | 4 | · Plug | | |
| 3 | 3853597 | 1 | Elbow | | |
| 4 | 3808361 | 8 | Screw | | |
| 5 | 3862500 | 2 | Temperature sensor | | |
| 6 | 3863443 | 8 | Hose clamp | | |
| 7 | 3852696 | 2 | Hose | | |
| 8 | 3863191 | 1 | Kit | | |
| | | 2 | · Gasket | | not sold separately |
| 9 | 3847501 | 2 | Manifold | | |
| 10 | 21114522 | 2 | · Drain plug | | |
| | 3849500 | 1 | · · Plug | | Replaced by 21114522, not sold separately |
| 11 | 976970 | 1 | · · O-ring | | |
| 12 | 3849892 | 1 | · · Retainer | | |
| 13 | 21238201 | 2 | Adapter | | |
| 14 | 976970 | 2 | · O-ring | | |
| 15 | 3852538 | 2 | Elbow | | |
| 16 | 3595388 | 2 | Plug | | |
| 17 | 3857184 | 12 | Flange screw | | |
| 18 | 3852468 | 2 | Gasket | | |
| 19 | 3863189 | 2 | Elbow | | |
| 20 | 3863442 | 8 | Hose clamp | | |
| 21 | 3863450 | 2 | Bellows | | |
| 22 | 3888824 | 1 | Exhaust pipe | | |
| 23 | 3841928 | 4 | Screw | | |
| 24 | 3860984 | 1 | Sealing | | |